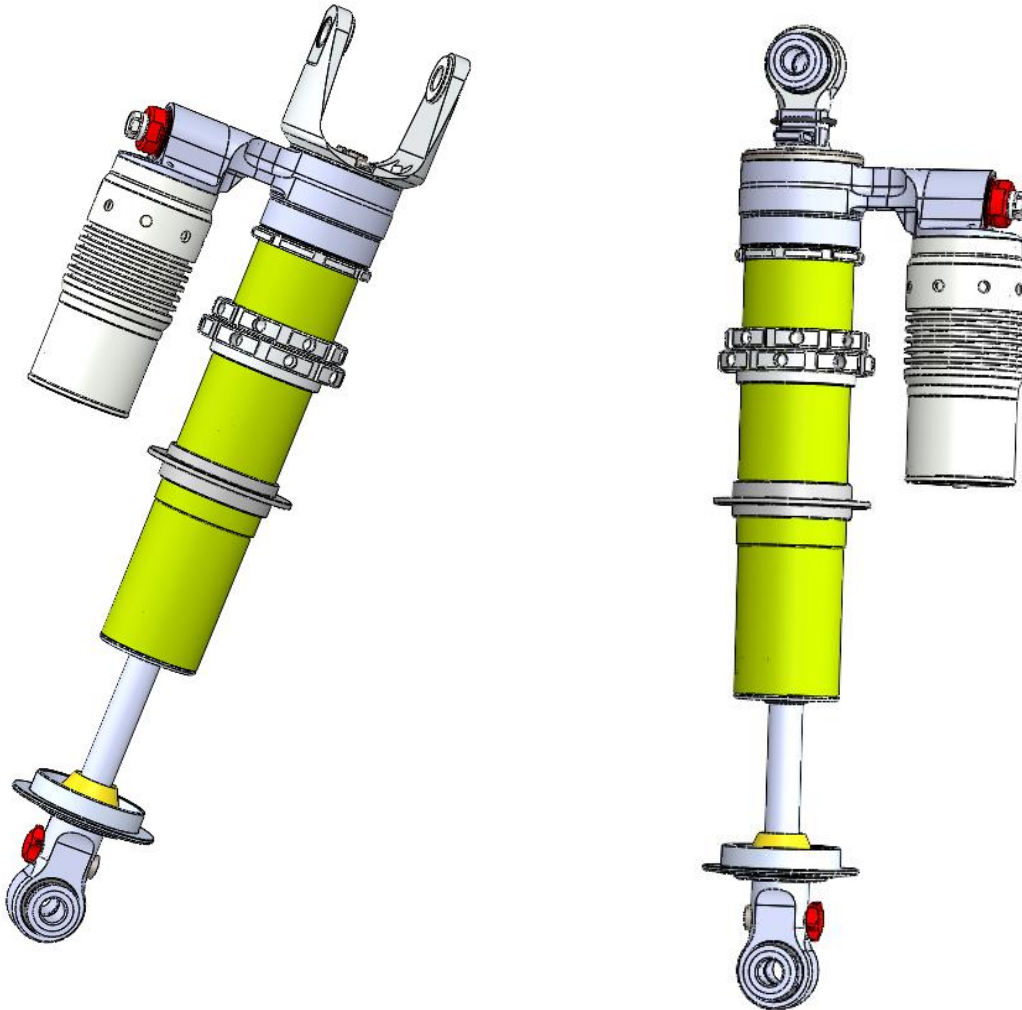


Alpine A110 RGT



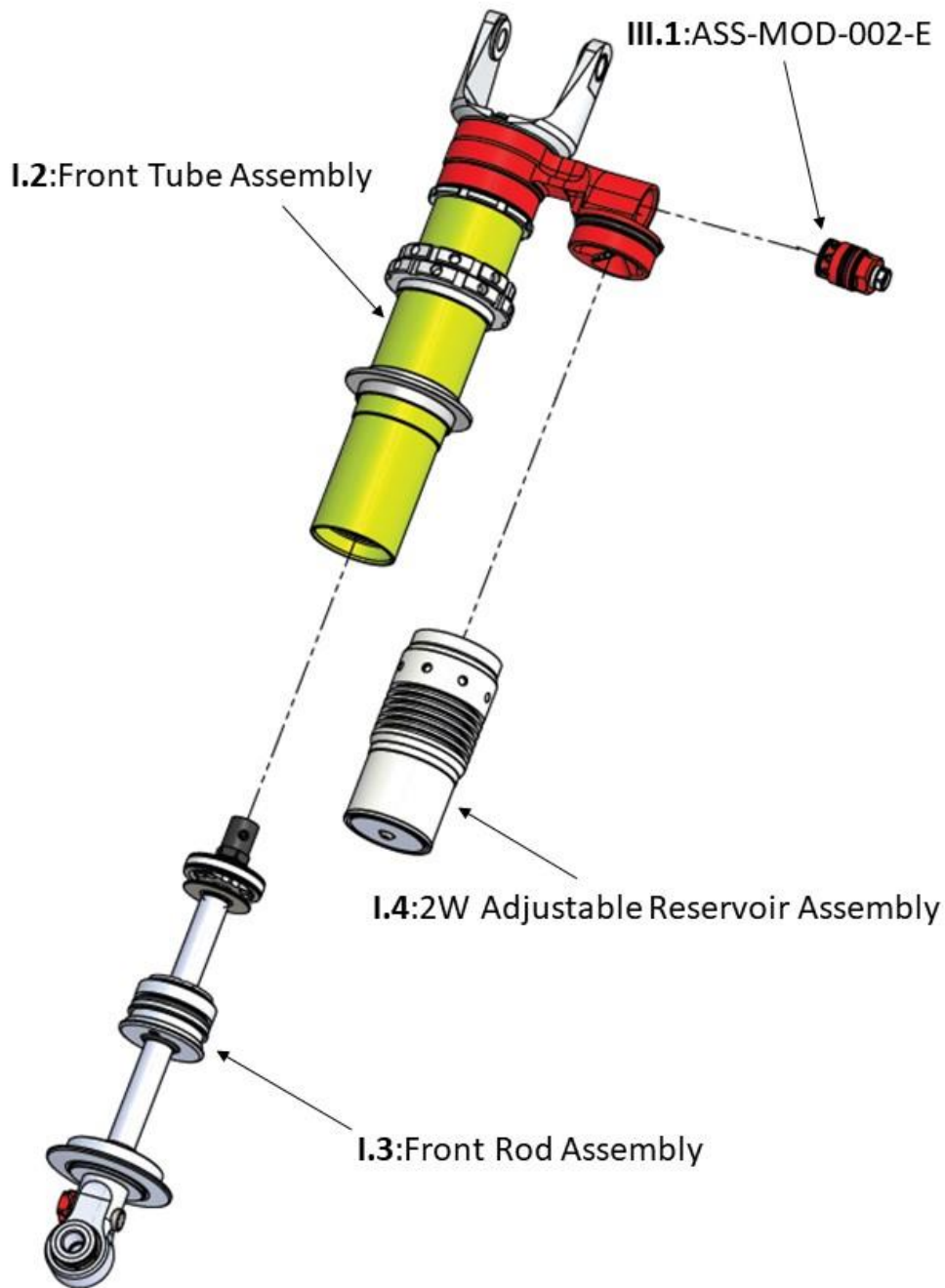
[PL]-PKM-ALPINE-A110-RGT
09/04/2024

Table of contents

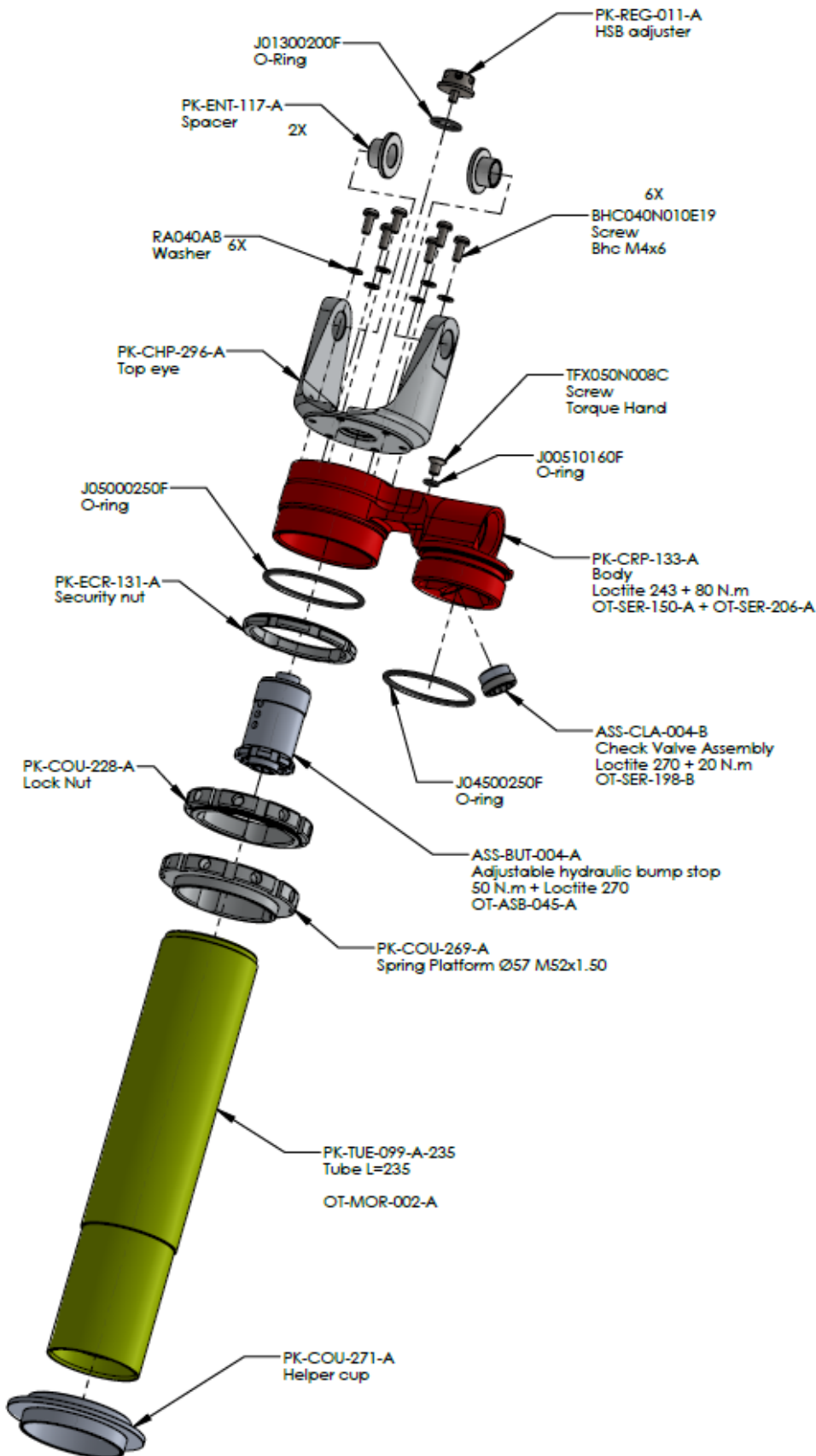
Chapt I :	Front Damper	3
1.	Recap	3
2.	Front Tube Assembly	4
3.	Front Rod Assembly	5
4.	2W Front Adjustable Reservoir Assembly	6
Chapt II :	Rear Damper.....	7
1.	Recap	7
2.	Rear Tube Assembly	8
3.	Rear Rod Assembly	9
4.	2W Rear Adjustable Reservoir Assembly.....	10
Chapt III :	Subset	11
1.	ASS-MOD-002-E	11
2.	ASS-BOU-005-B.....	12
3.	ASS-BUT-004-A	13
4.	ASS-CLA-004-B	14
5.	ASS-CLA-007-A	15
Chapt IV :	Other	16
1.	Tools	16
2.	Valving	16
Chapt V :	Versioning.....	16
Chapt VI :	Notes	17

Chapt I: Front Damper

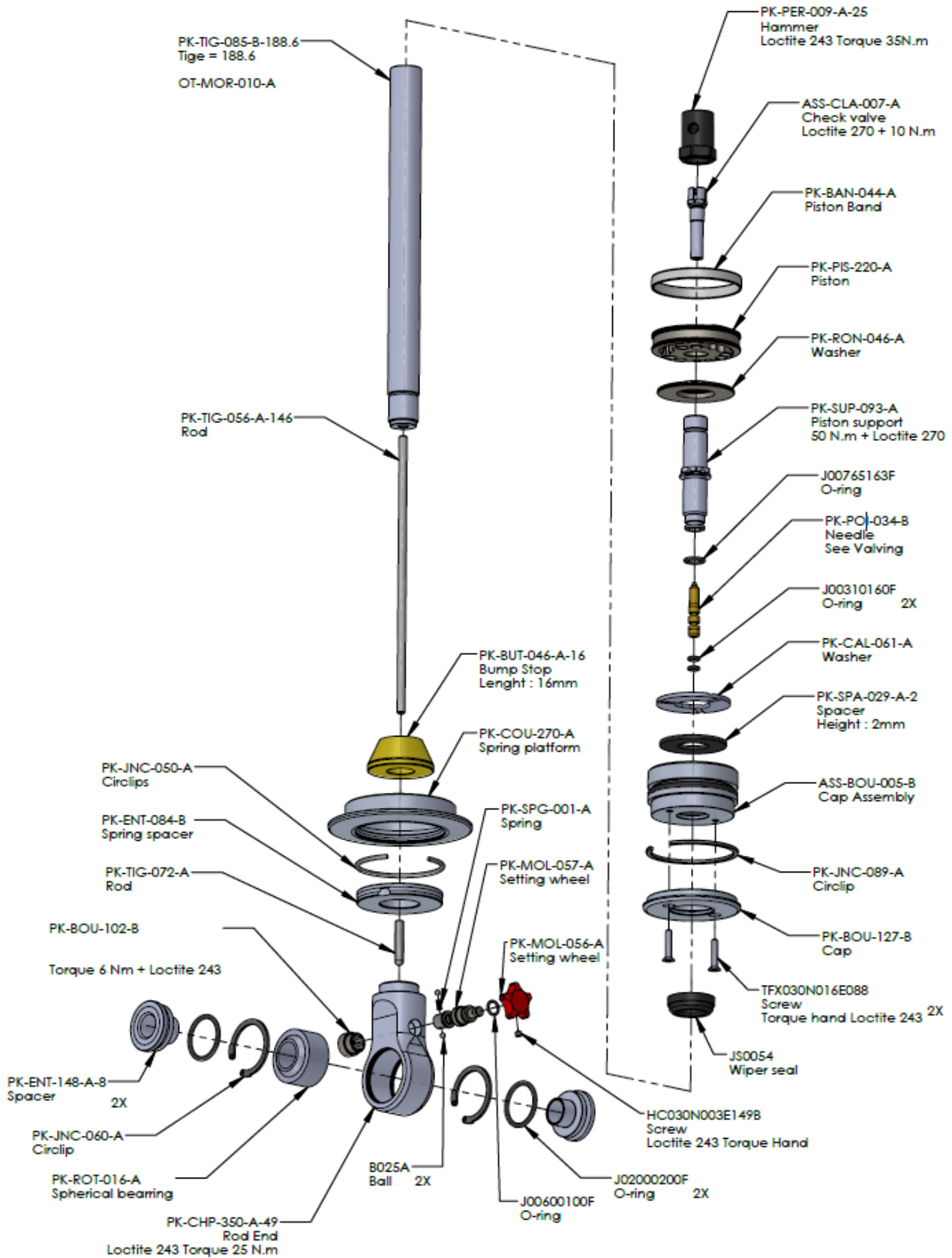
1. Recap



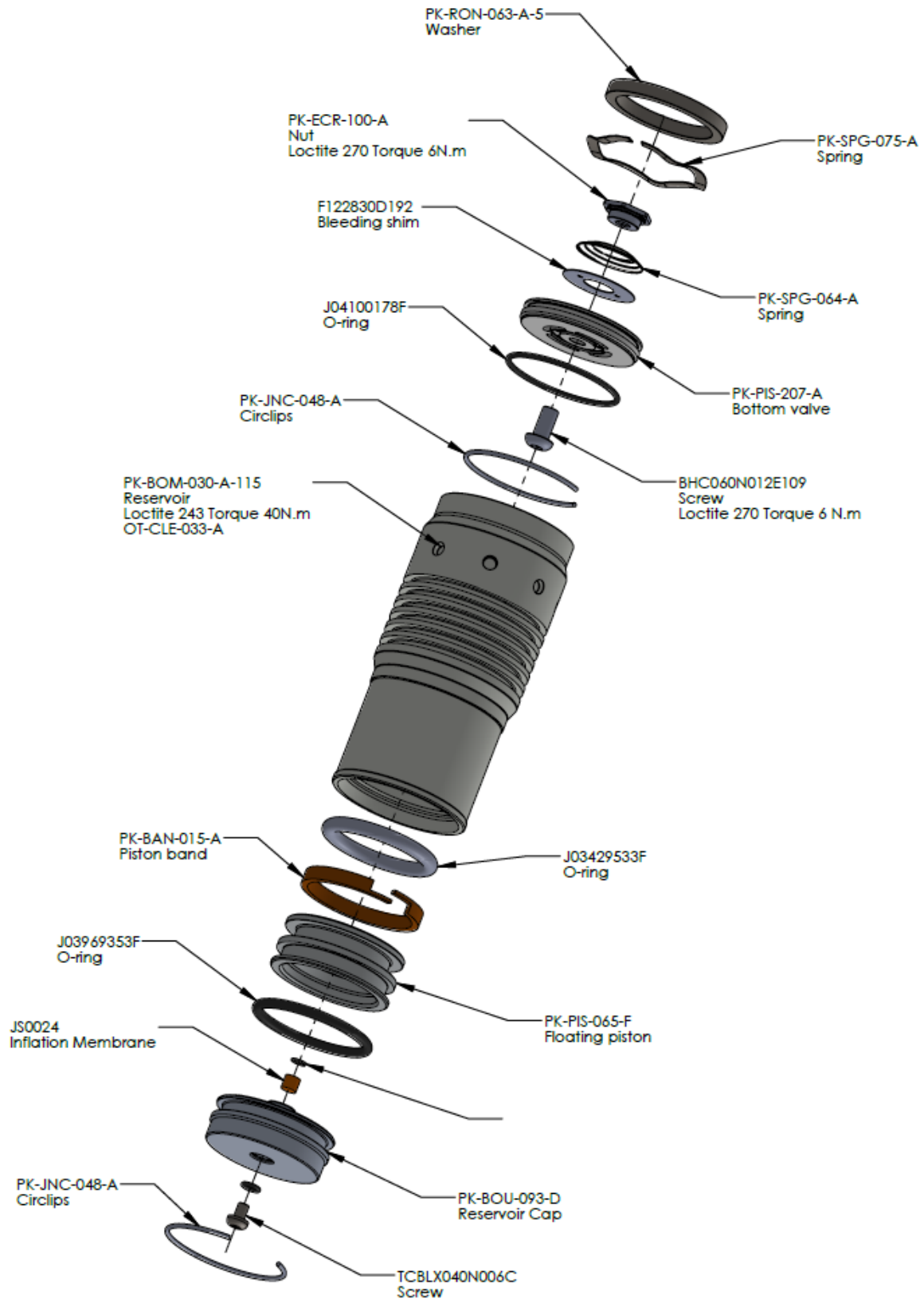
2. Front Tube Assembly



3. Front Rod Assembly

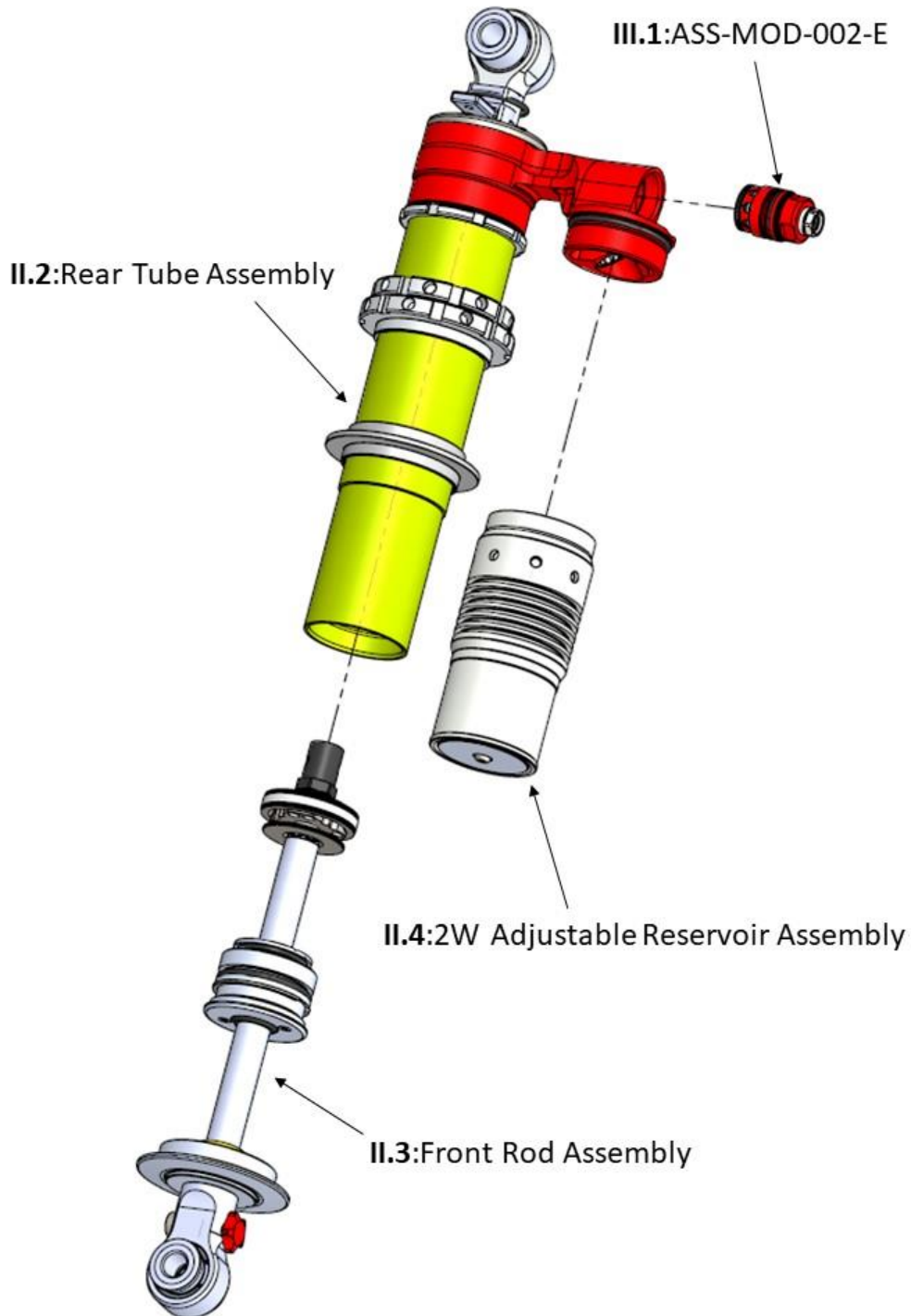


4. 2W Front Adjustable Reservoir Assembly

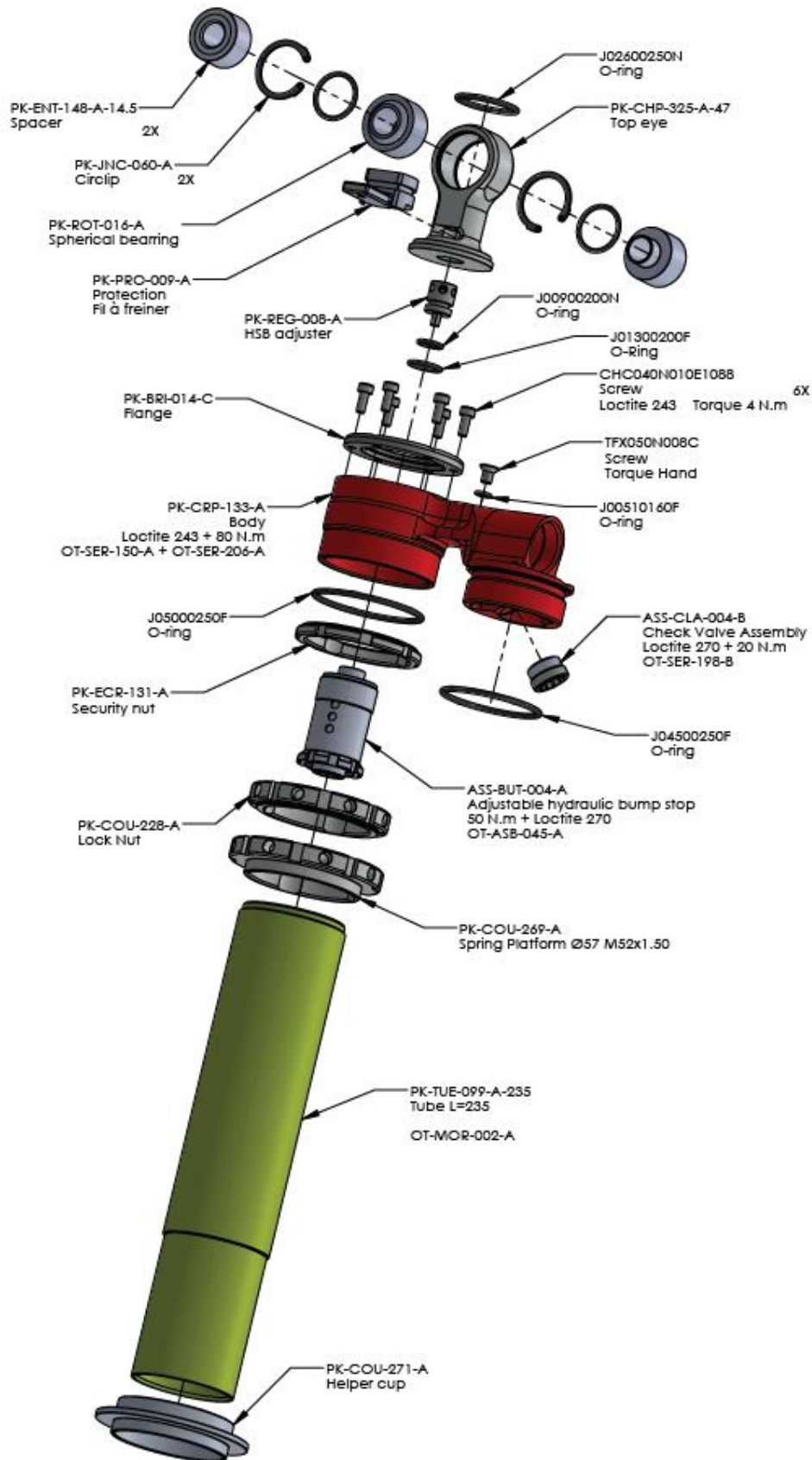


Chapt II: Rear Damper

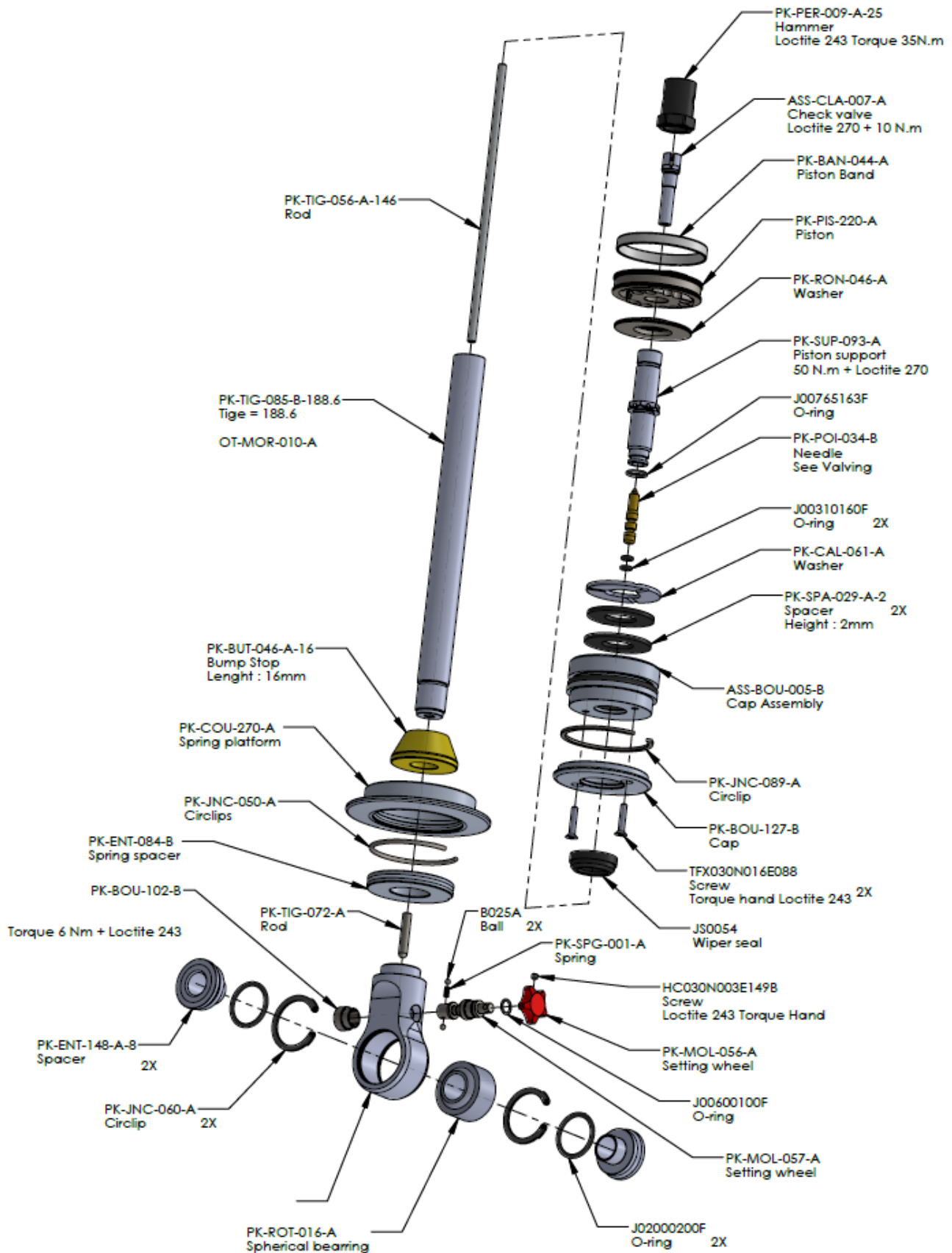
1. Recap



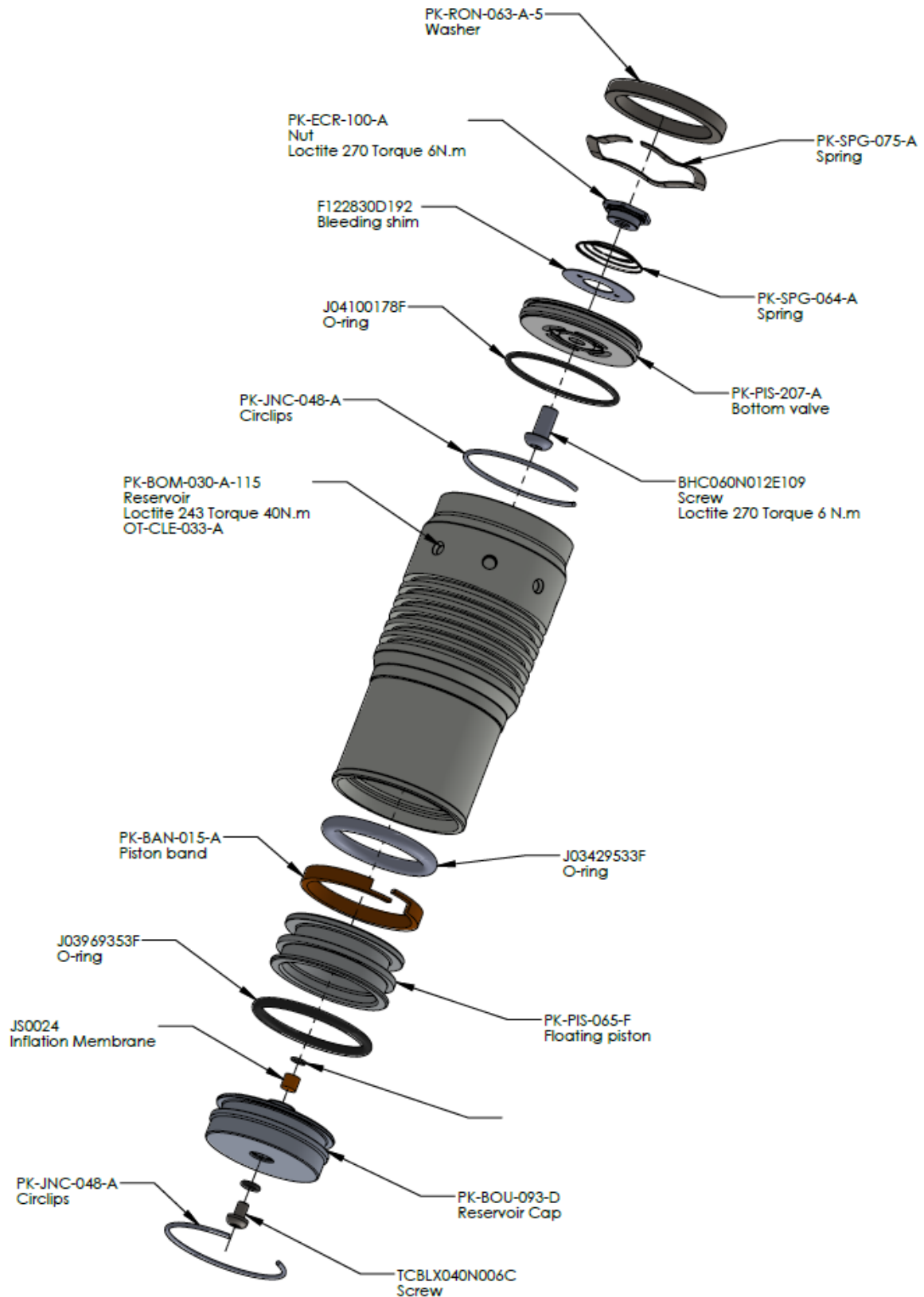
2. Rear Tube Assembly



3. Rear Rod Assembly

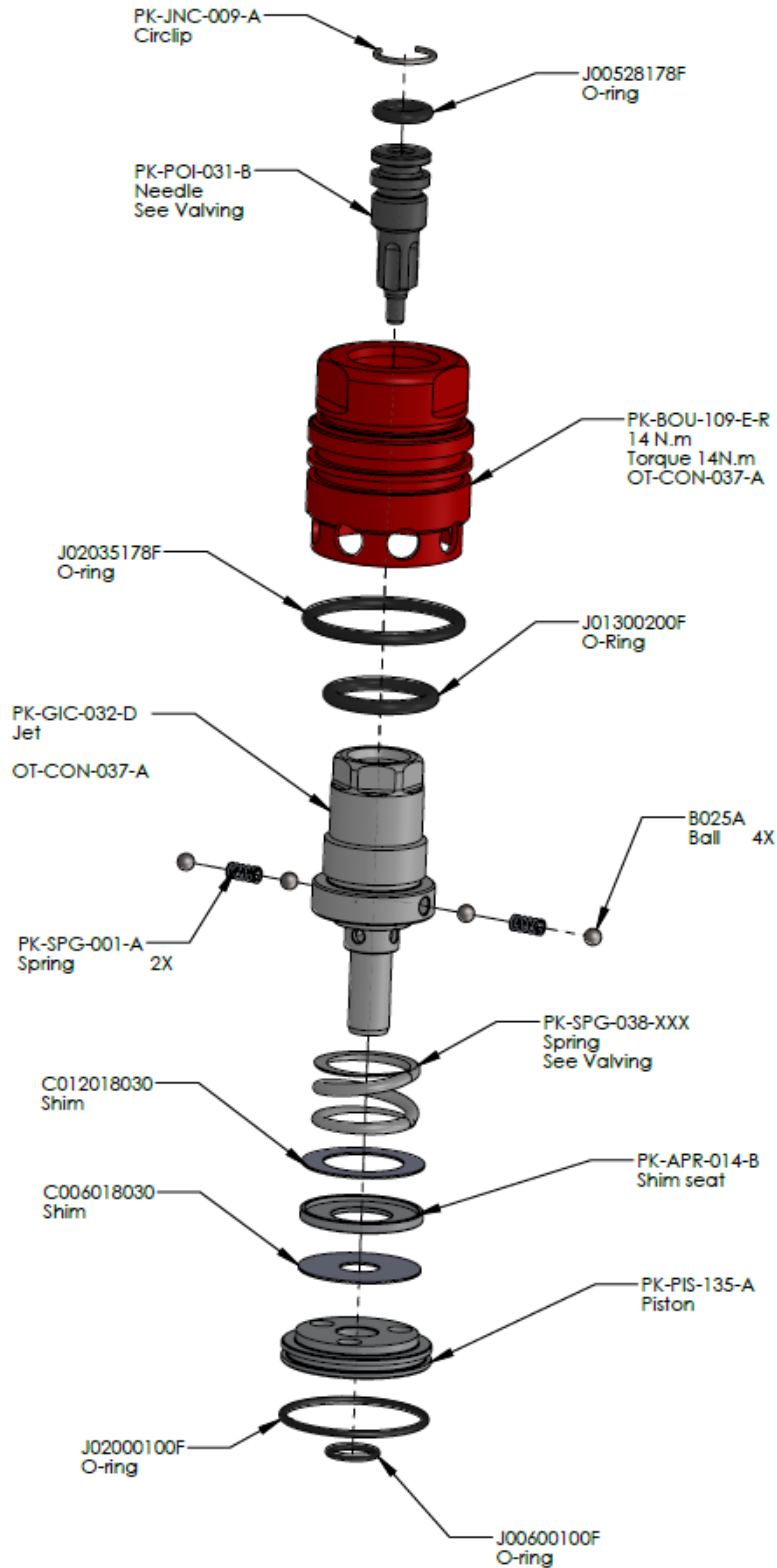


4. 2W Rear Adjustable Reservoir Assembly

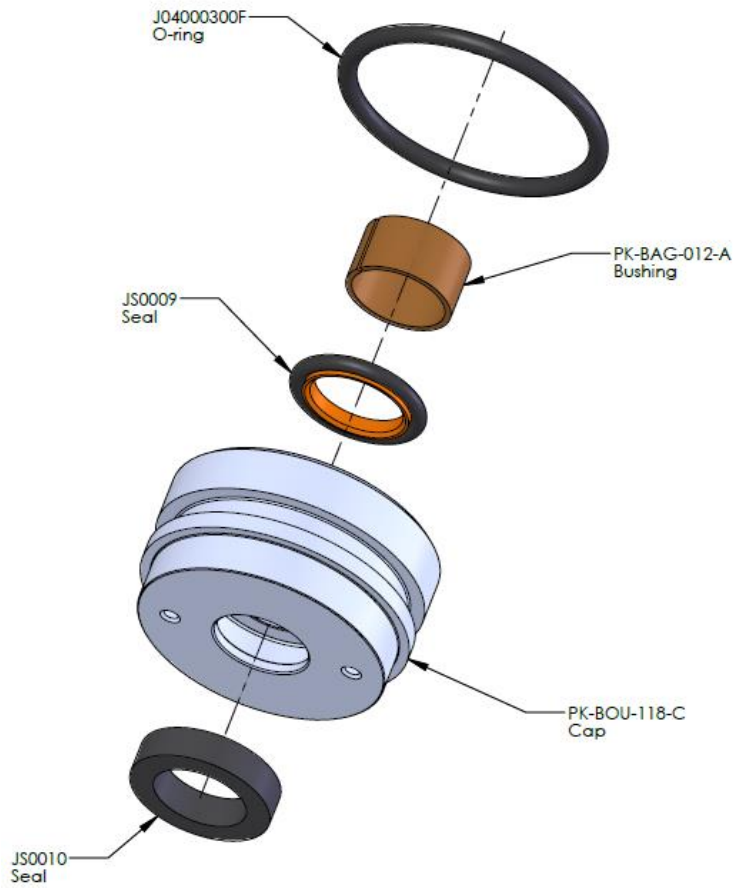


Chapt III : Subset

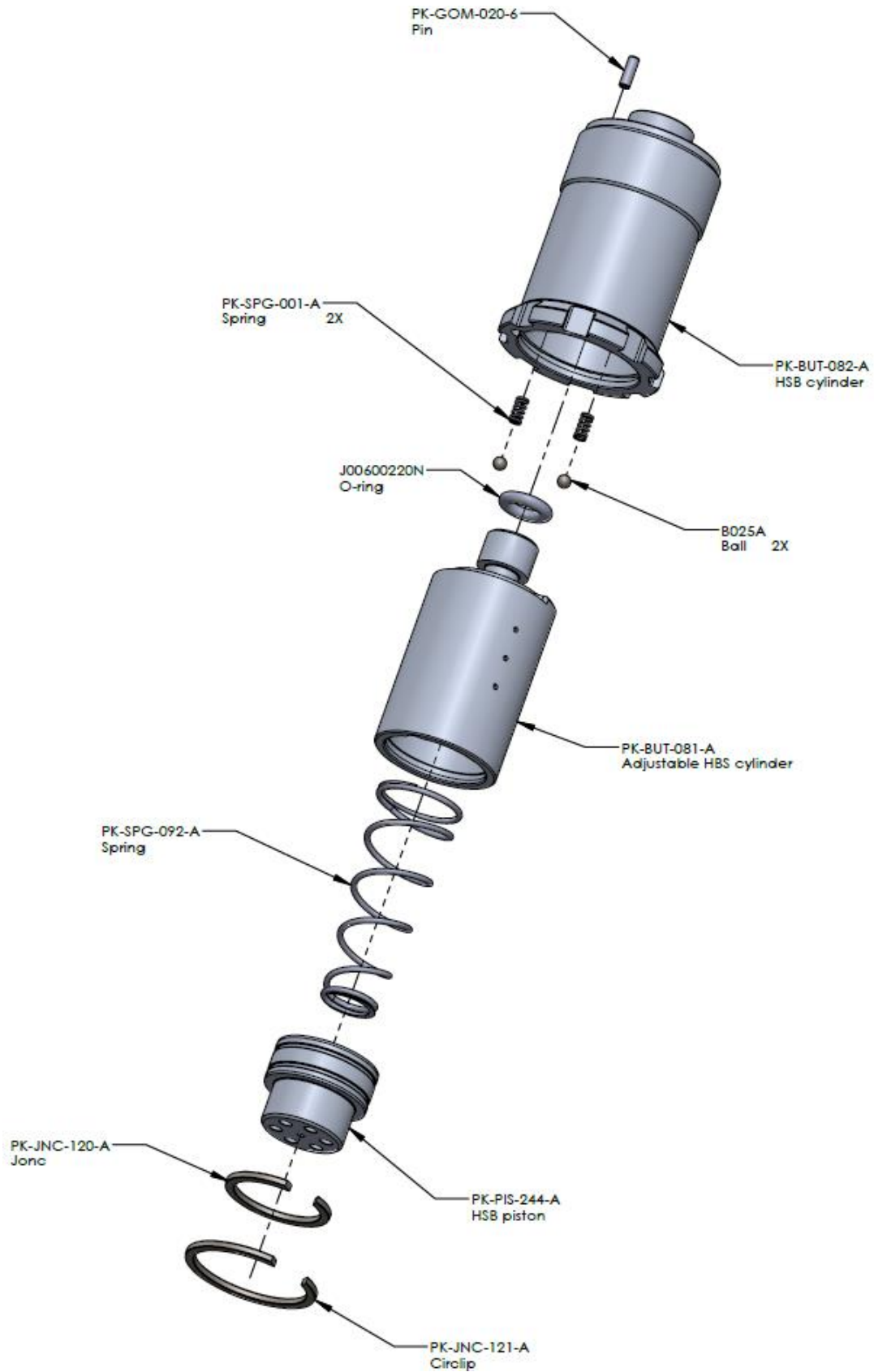
1. ASS-MOD-002-E



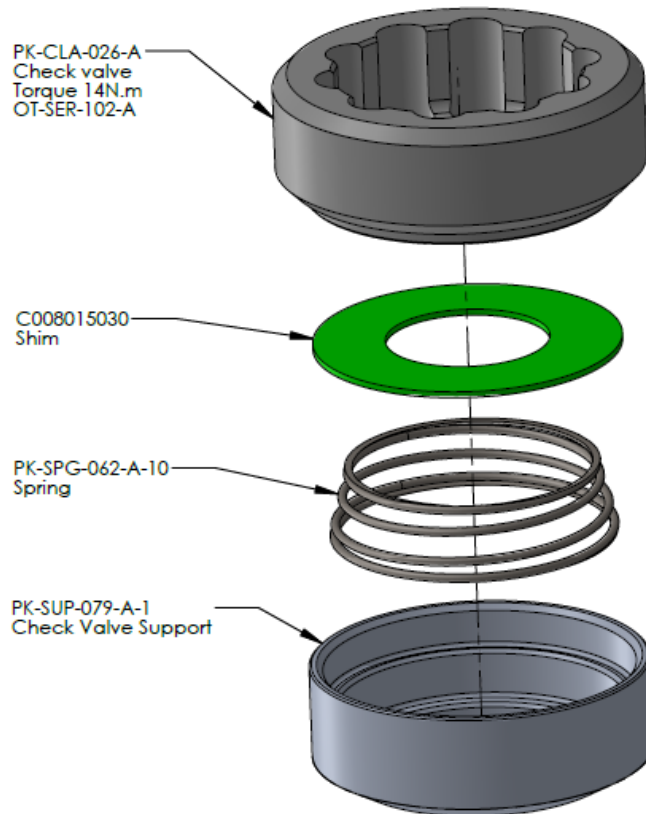
2. ASS-BOU-005-B



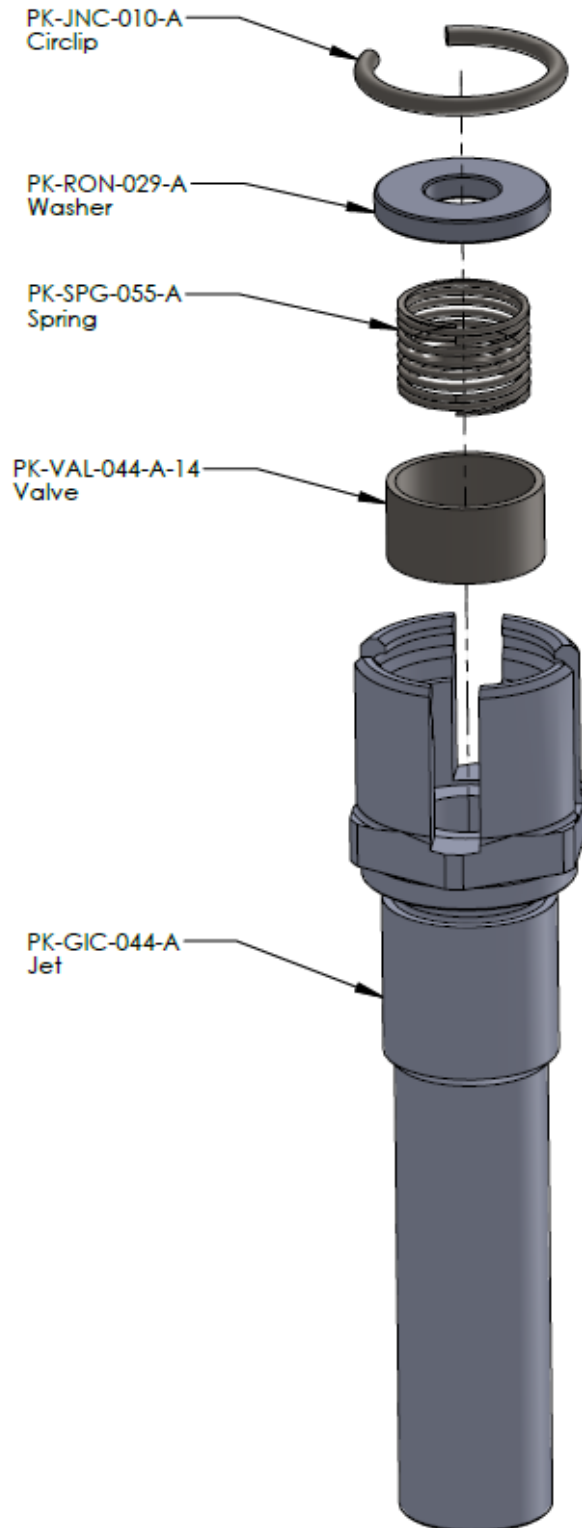
3. ASS-BUT-004-A



4. ASS-CLA-004-B



5. ASS-CLA-007-A



Chapt IV : Other

1. Tools

Product	Part No
TOOL	OT-SER-206-A
TOOL	OT-CLE-033-A
TOOL	OT-SER-102-A
TOOL	OT-SER-198-B
TOOL	OT-MOR-002-A
TOOL	OT-SER-150-A
TOOL	OT-MOR-010-A
TOOL	OT-ASB-045-A
OIL	PK-OIL-001-A
GAS	NITROGEN

2. Valving

Product	Part No	Datas
GAS	NITROGEN	Pressure = 8 bars
SPRING	PK-SPG-038-XXX	XXX=A60

Chapt V : Versioning

REV	NAME	DATE	CHANGES
A	KOLLEN	04/04/2024	Creation



Alpine A110 RGT : Part List



Chapt VI : Notes

.....

.....

.....

.....

.....

.....

.....

.....

.....

.....

.....

.....

.....