

P32 LC – GINETTA LMP3

Part List



[PL]-PKM-P32LC-GINETTA-LMP3-V1
30/04/2024

Table of contents

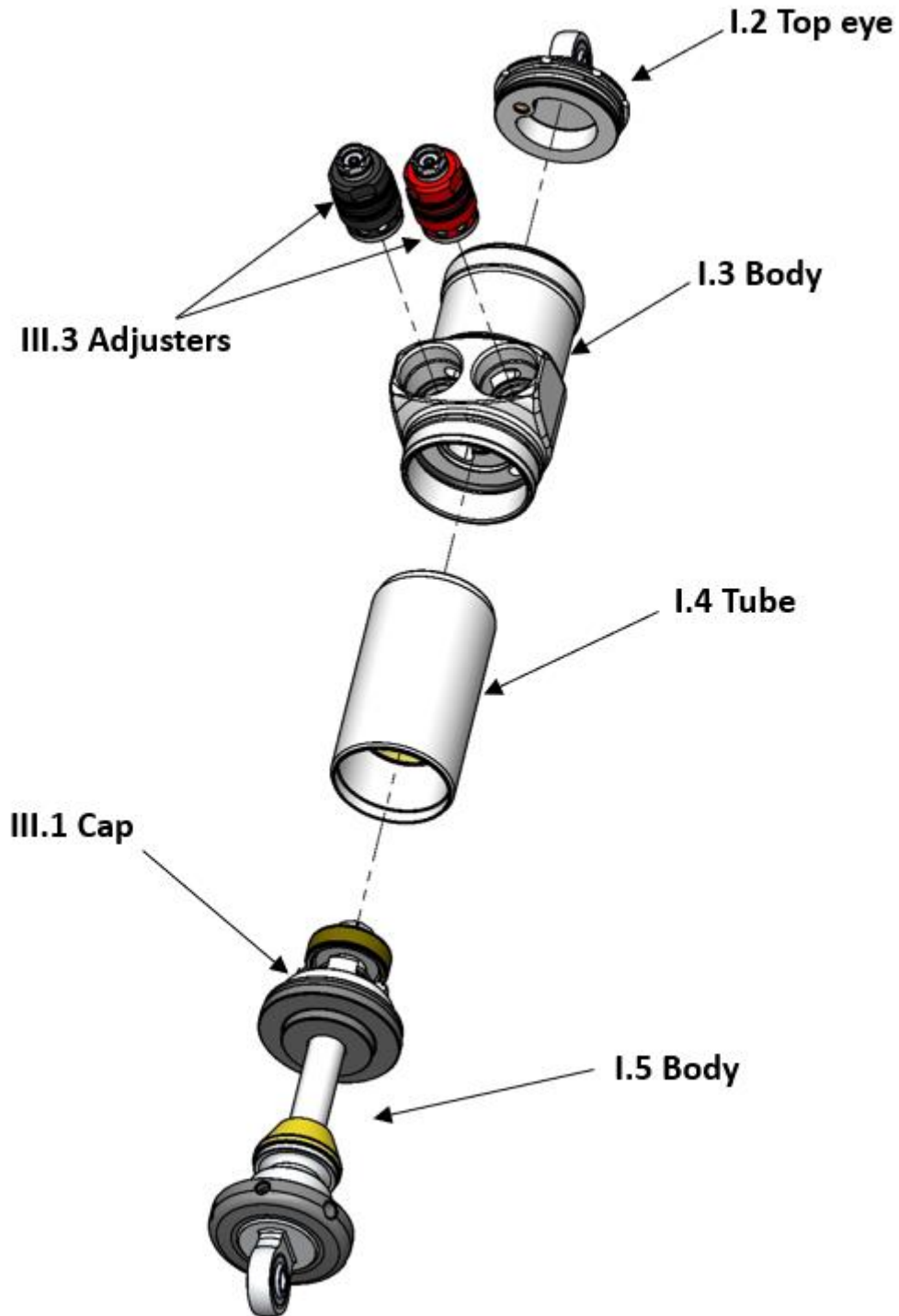
Chapt I :	Front	3
1.	Recap	3
2.	Top eye	4
3.	Body.....	5
4.	Tube.....	6
5.	Rod.....	7
Chapt II :	Rear	8
1.	Recap	8
2.	Top eye	9
3.	Body.....	10
4.	Tube.....	11
5.	Rod.....	12
Chapt III :	Subassemblies	13
1.	Cap (ASS-BOU-105-A)	13
2.	Adjusters.....	14
Chapt IV :	Valving	15
Chapt V :	Tools	15
Chapt VI :	Versioning.....	15
Chapt VII :	Notes	16

Flash the QR code below to find all the last information about this product.

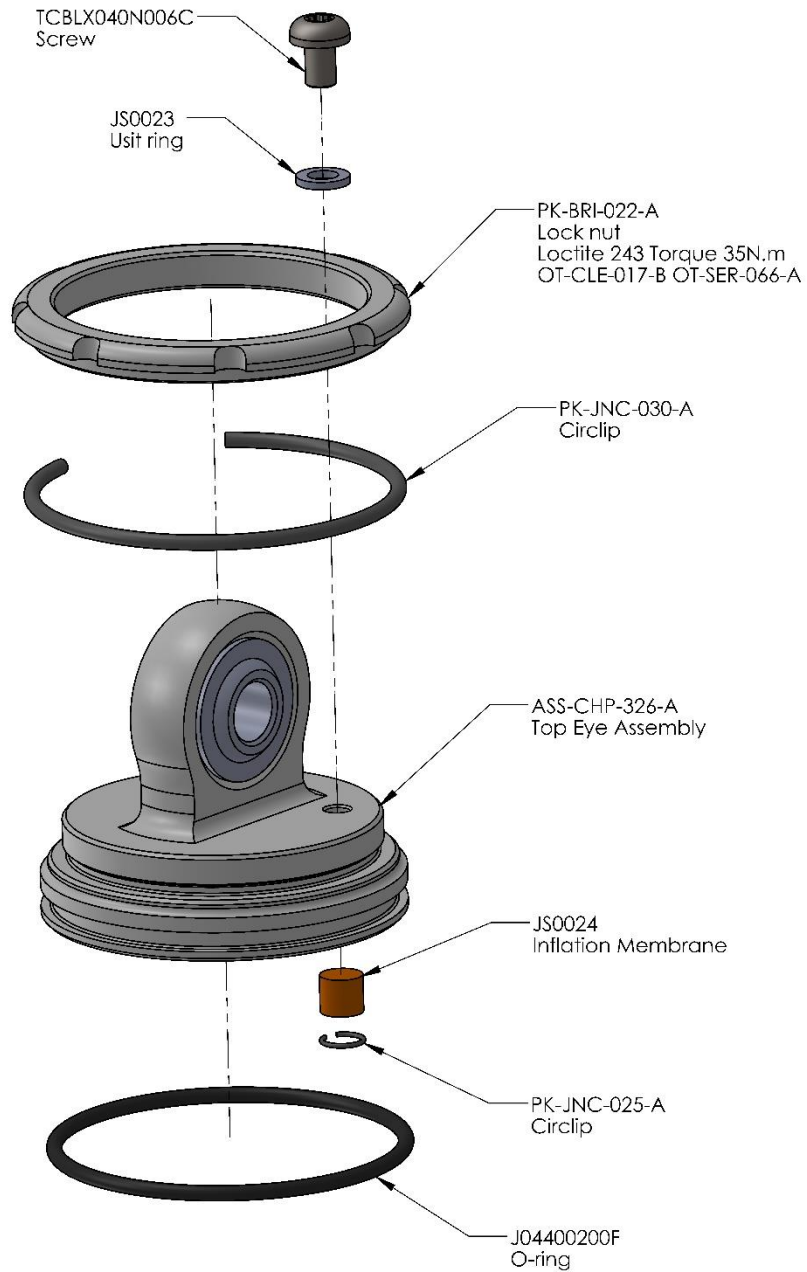


Chapt I: Front

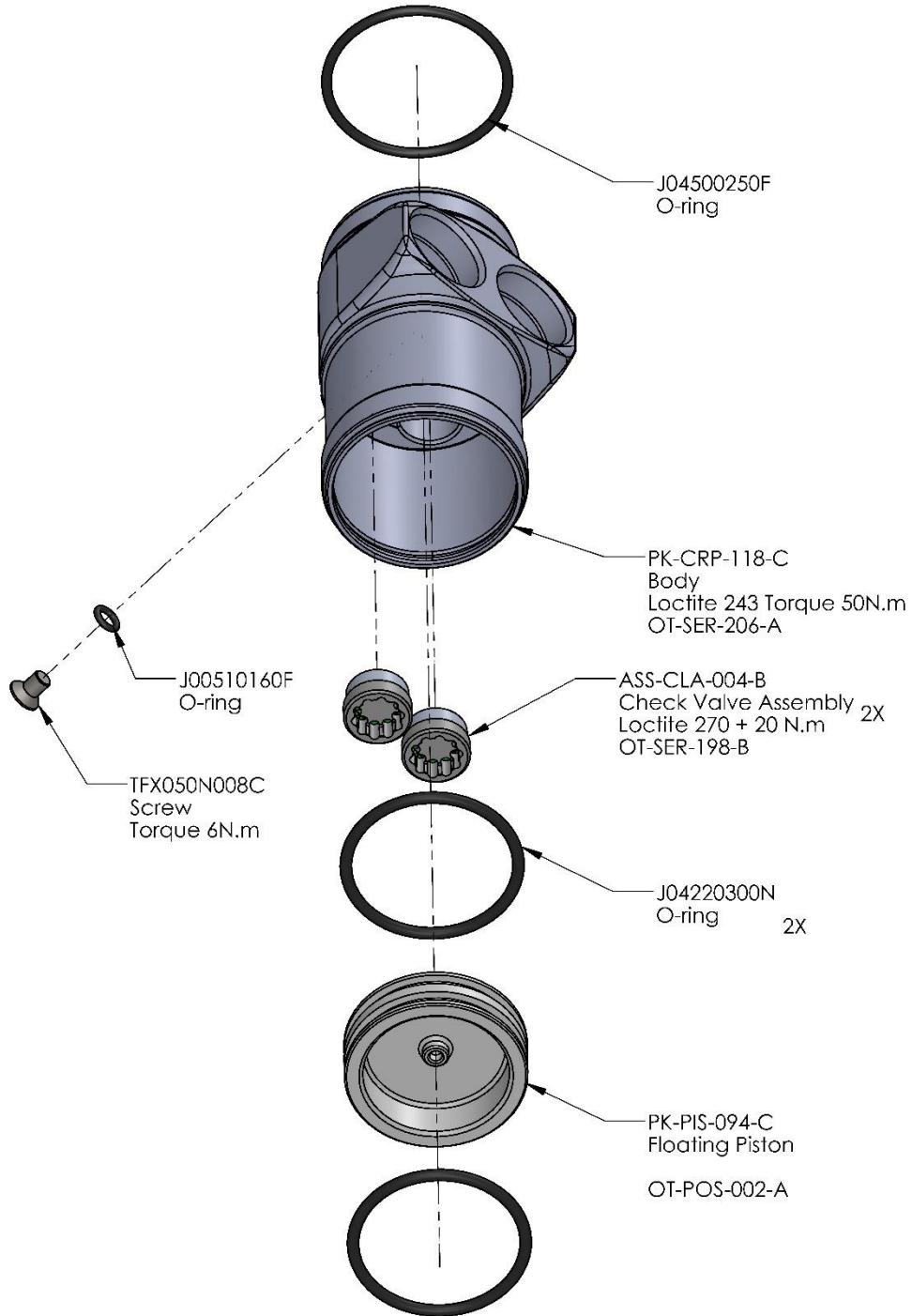
1. Recap



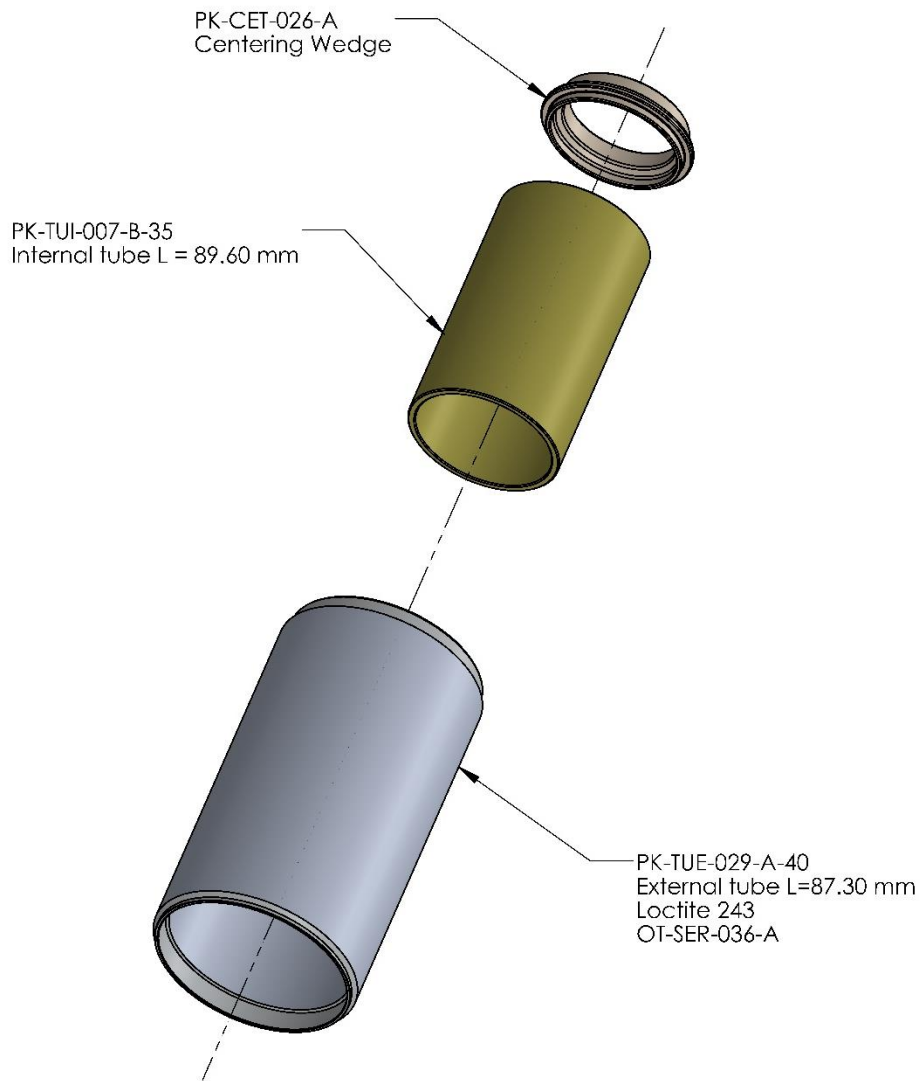
2. Top eye



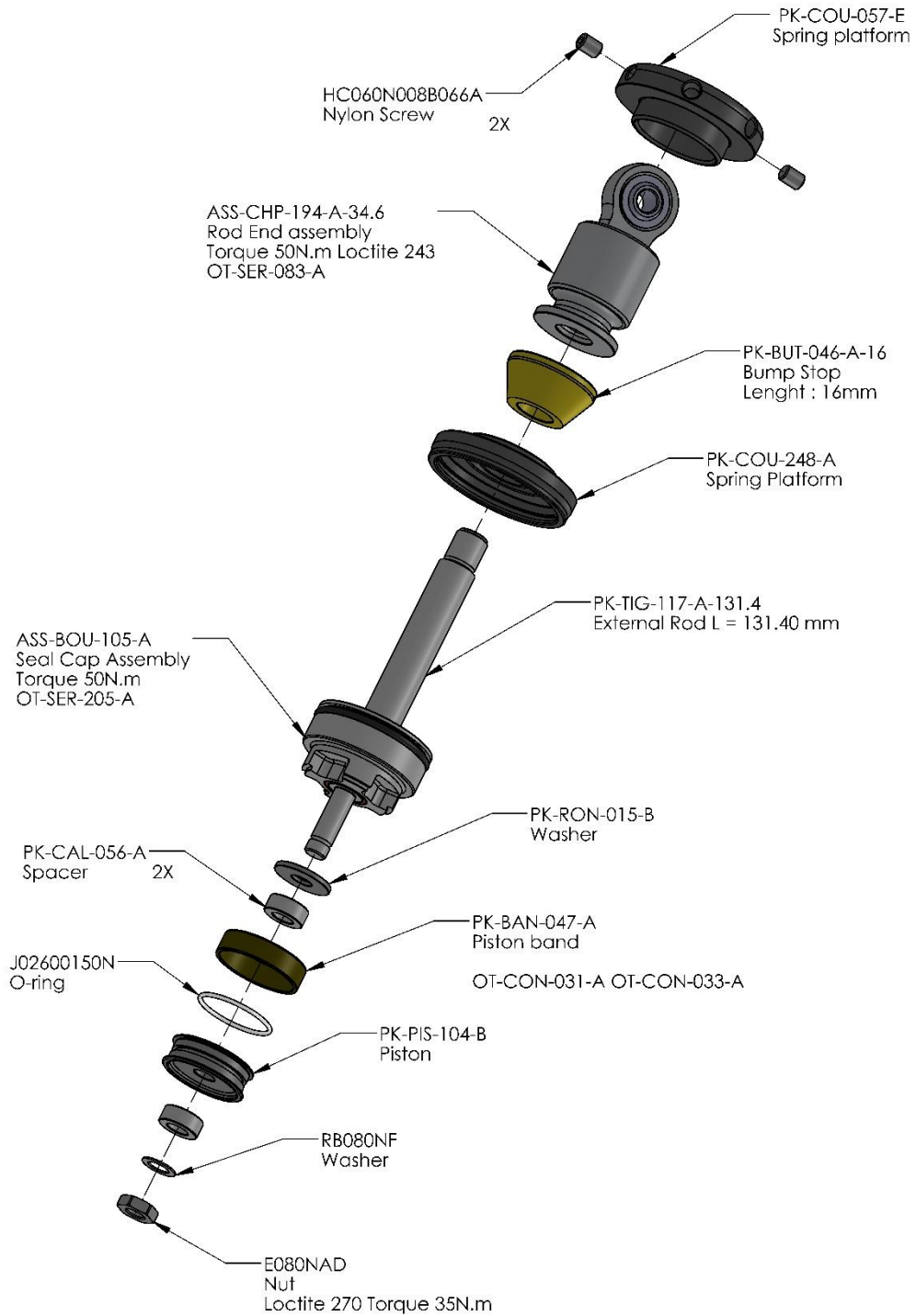
3. Body



4. Tube

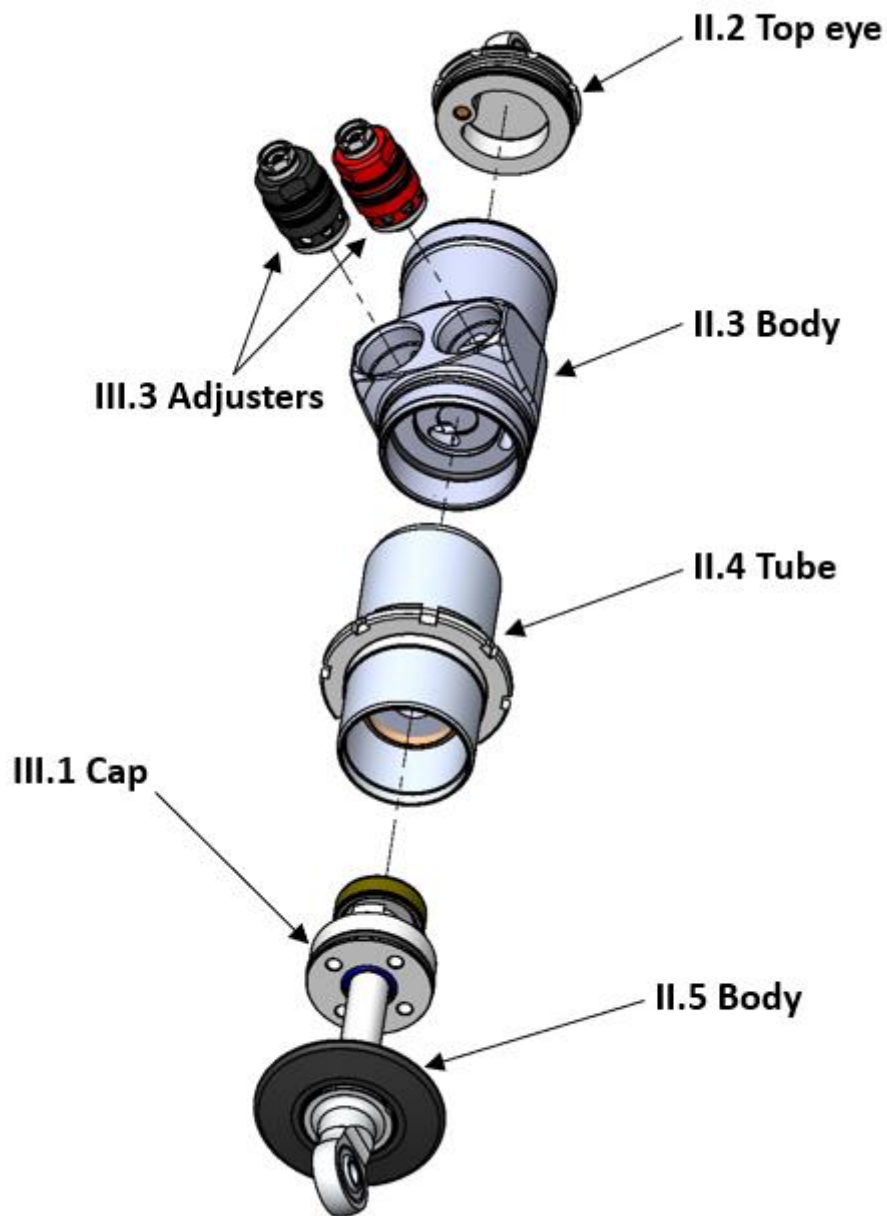


5. Rod

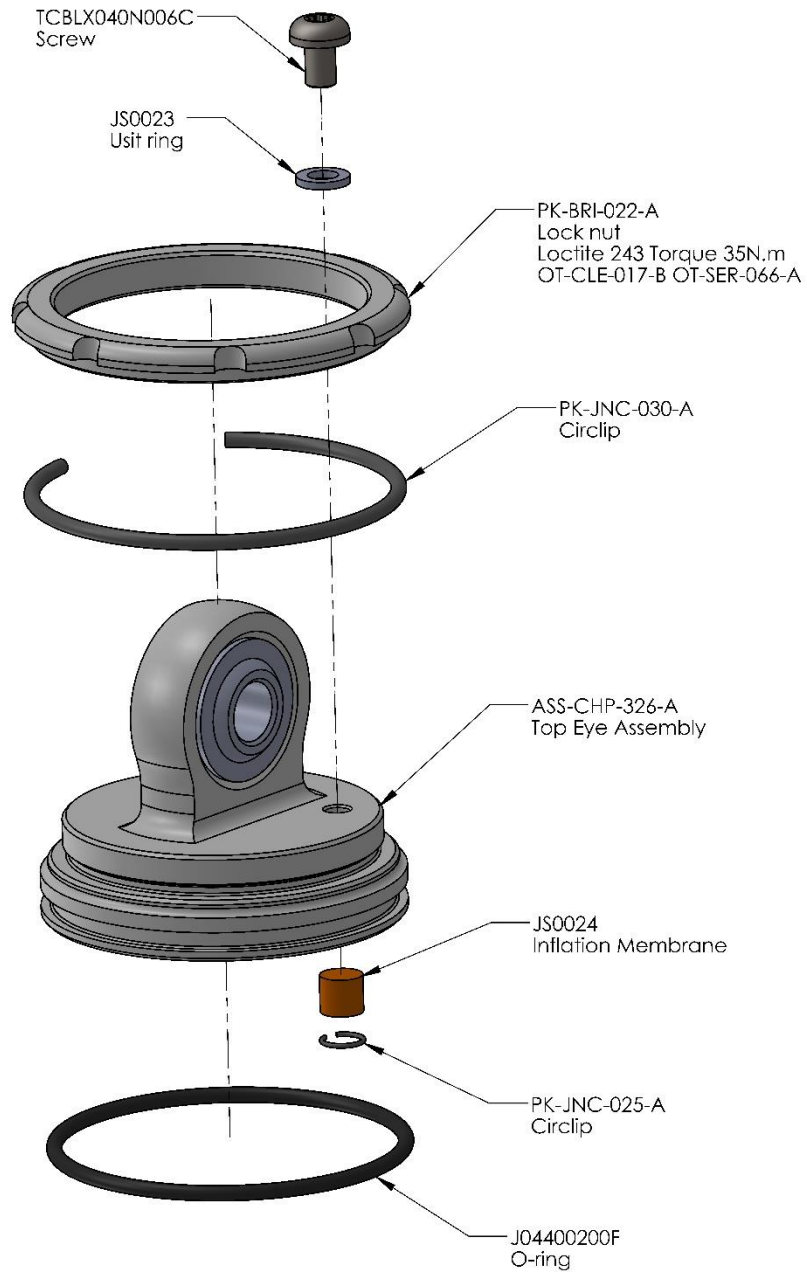


Chapt II : Rear

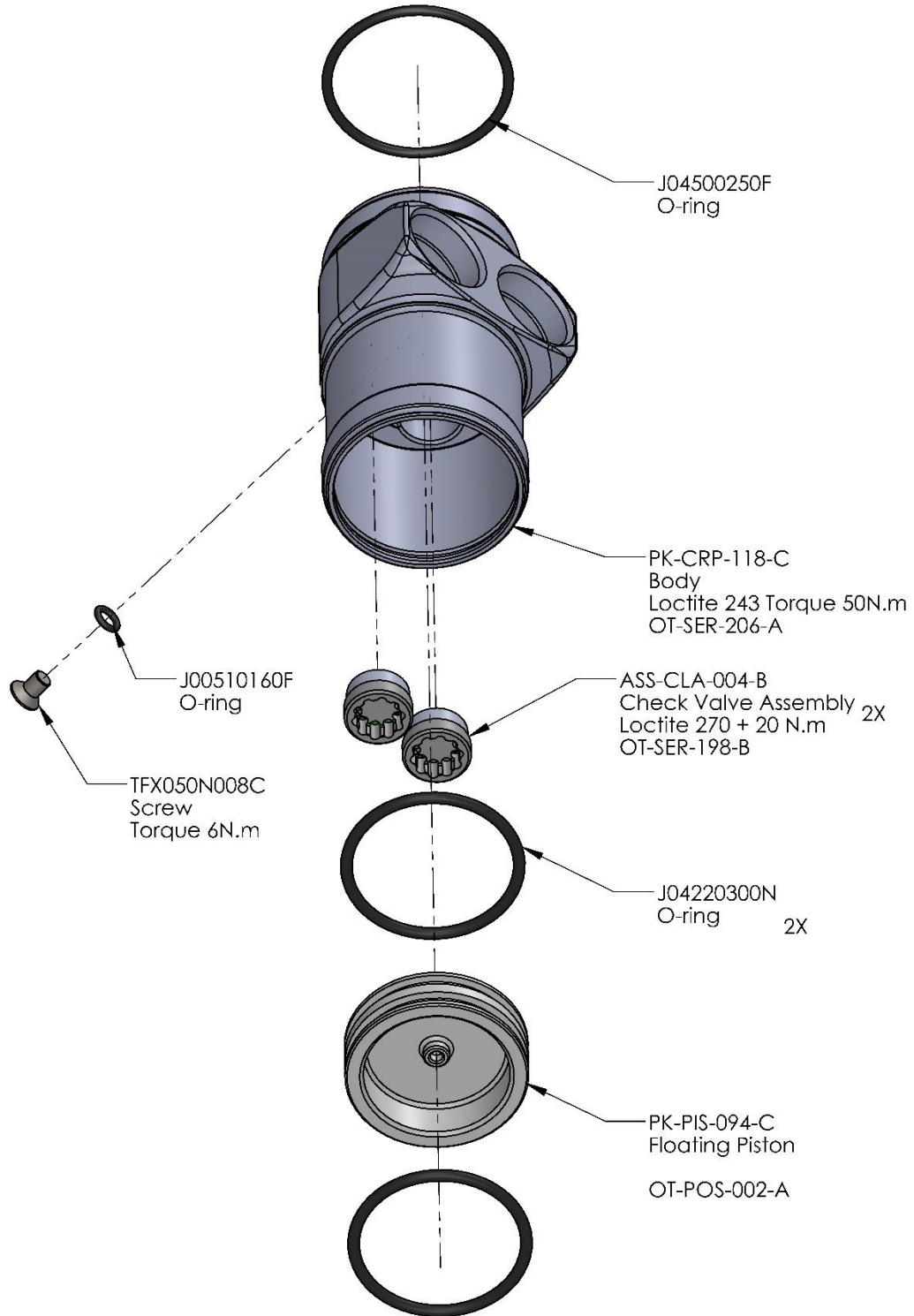
1. Recap



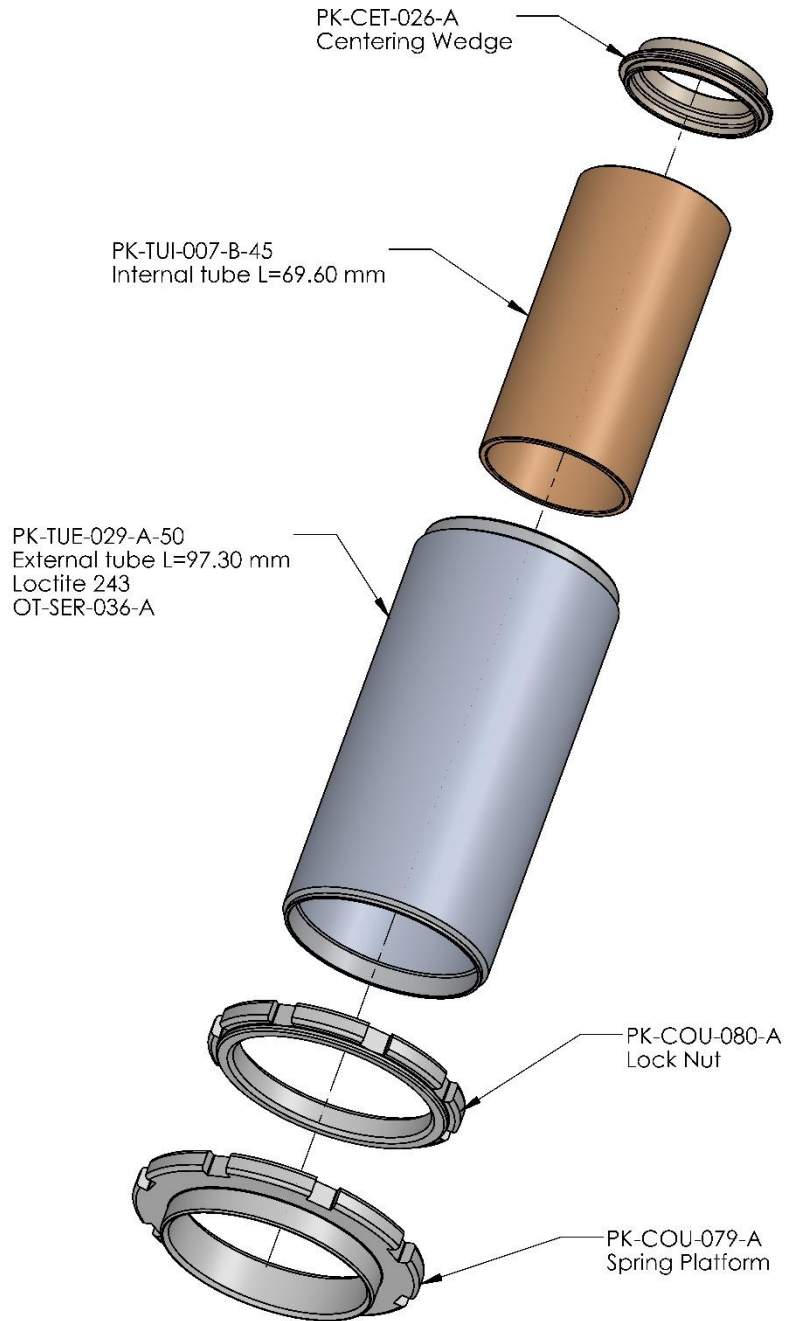
2. Top eye



3. Body

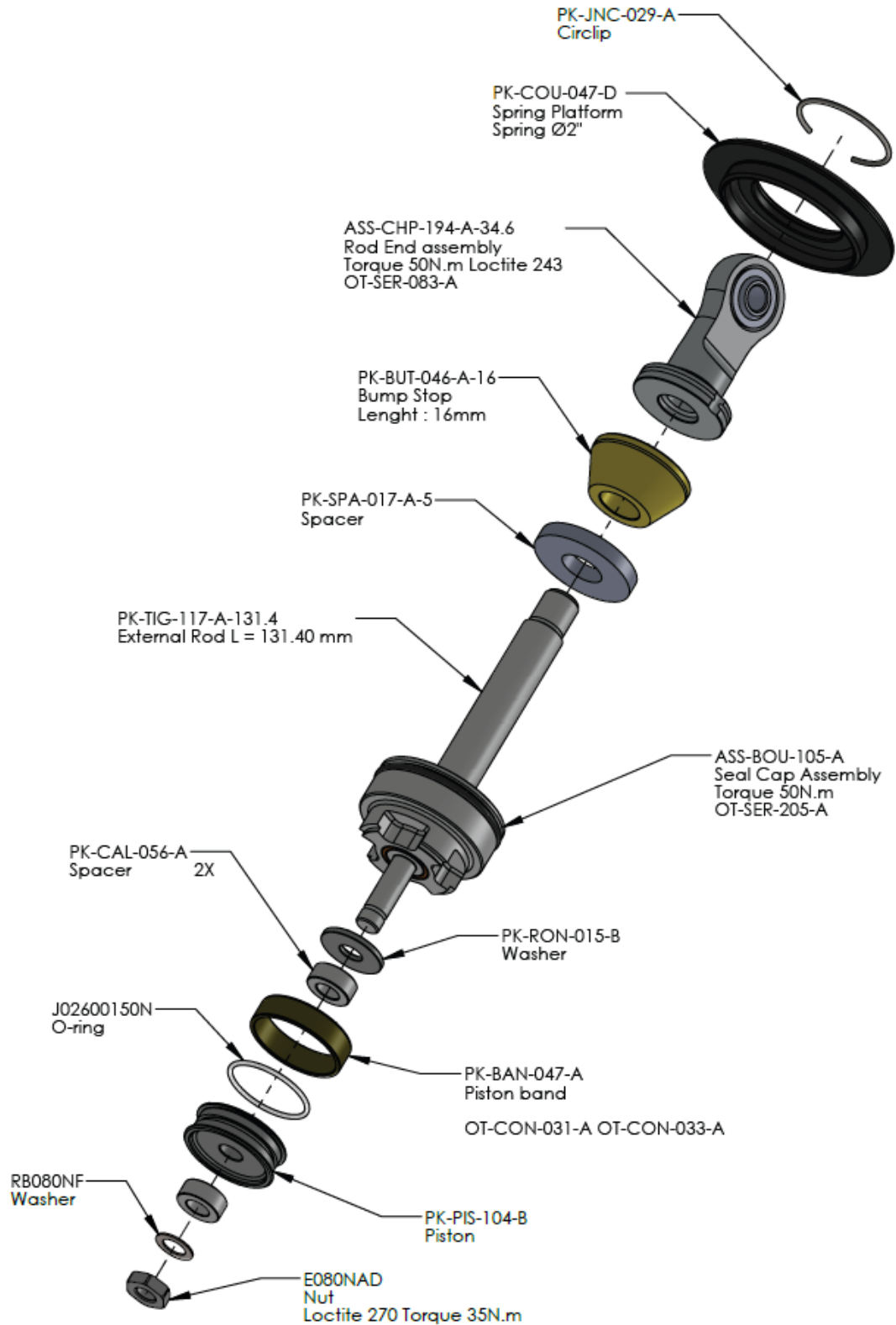


4. Tube



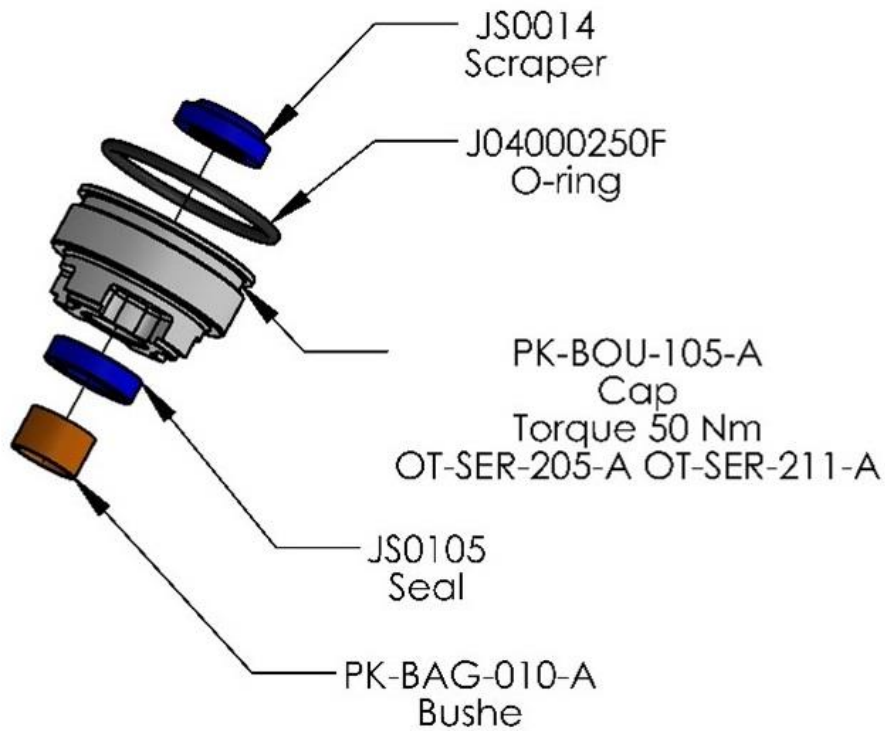
LI-COV- Part List-A	Création : IK [22/02/2024]
	Mise à jour :
	Approbation :

5. Rod

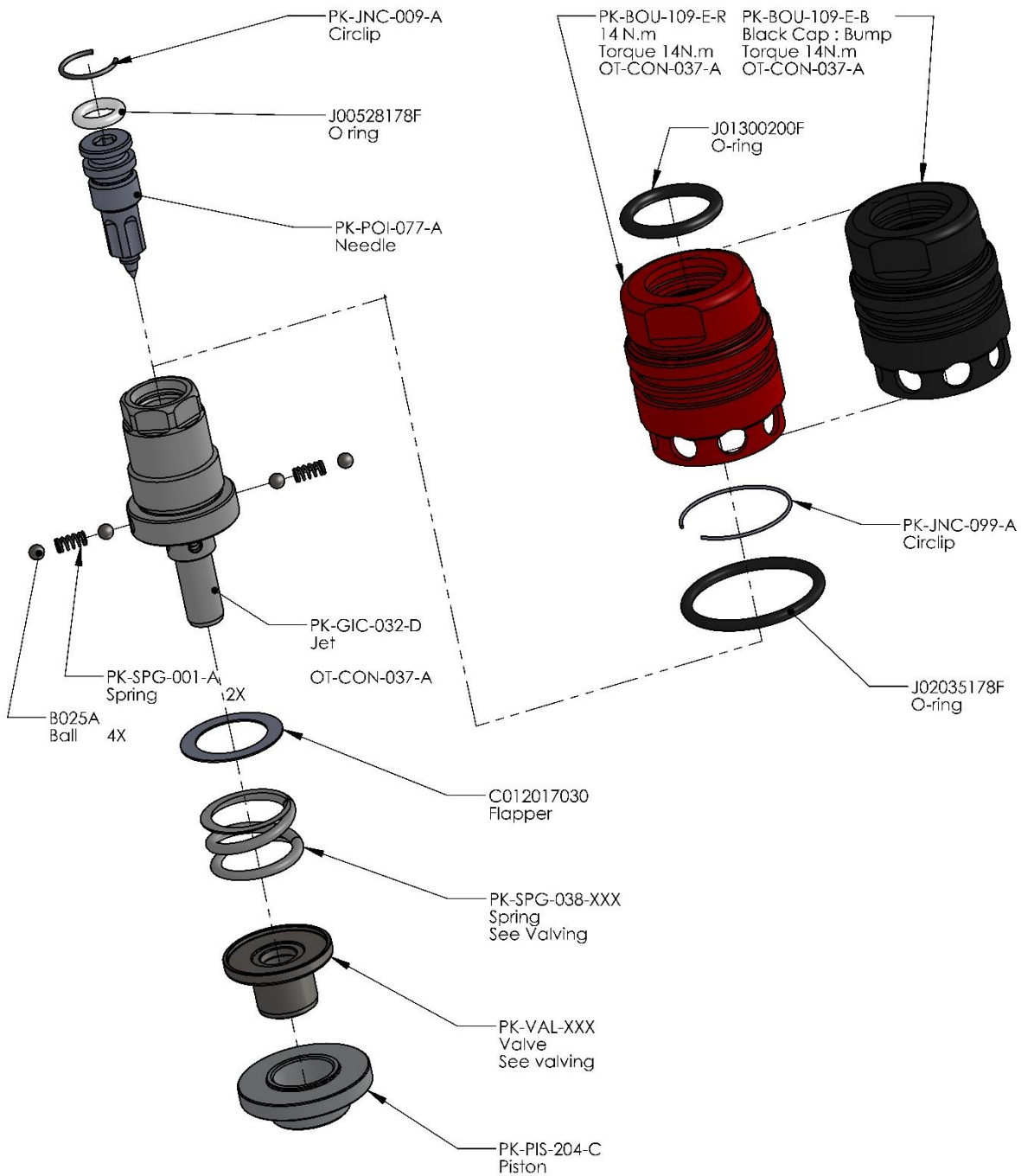


Chapt III : Subassemblies

1. Cap (ASS-BOU-105-A)



2. Adjusters



Chapt IV : Valving

High Speed Spring Stifnesses table			
Placement	Part No	Stifness (N/mm)	Stifness (lbs/inch)
Front	PK-SPG-038-B-20	20	114.5
Rear	PK-SPG-038-B-60	60	343.5
Both	PK-VAL-052-D		

Chapt V : Tools

Product	Part No
GAS	Nitrogen
OIL	PK-OIL-001-A
TOOL	OT-SER-083-A
TOOL	OT-ASB-036-A
TOOL	OT-SRT-018-A
TOOL	OT-SER-205-A
TOOL	OT-SER-102-A
TOOL	OT-SER-036-A
TOOL	OT-SER-206-A
TOOL	OT-SER-198-B

Chapt VI : Versioning

REV	NAME	DATE	CHANGES
A	Kollen	22/02/2024	Creation



P32 LC – GINETTA LMP3



Chapt VII : Notes

.....

.....

.....

.....

.....

.....

.....

.....

.....

.....

.....

.....

.....

.....

.....

LI-COV- Part List-A	Création : IK [22/02/2024]
	Mise à jour :
	Approbation :