

Cric Pro Jack

Part List

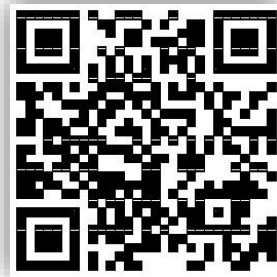


[PL]-PKM-PRO-JACK
12/08/2022

Table of contents

Chapt I :	Recap.....	3
Chapt II :	Body.....	4
Chapt III :	Valve Assembly.....	5
Chapt IV :	Piston.....	6
Chapt V :	Rod.....	7
Chapt VI :	Tube.....	8
Chapt VII :	Pin.....	9
Chapt VIII :	Other	10
Chapt IX :	Versioning.....	10
Chapt X :	Notes	11

Flash the QR code below or follow the link to find out every information available for this product.

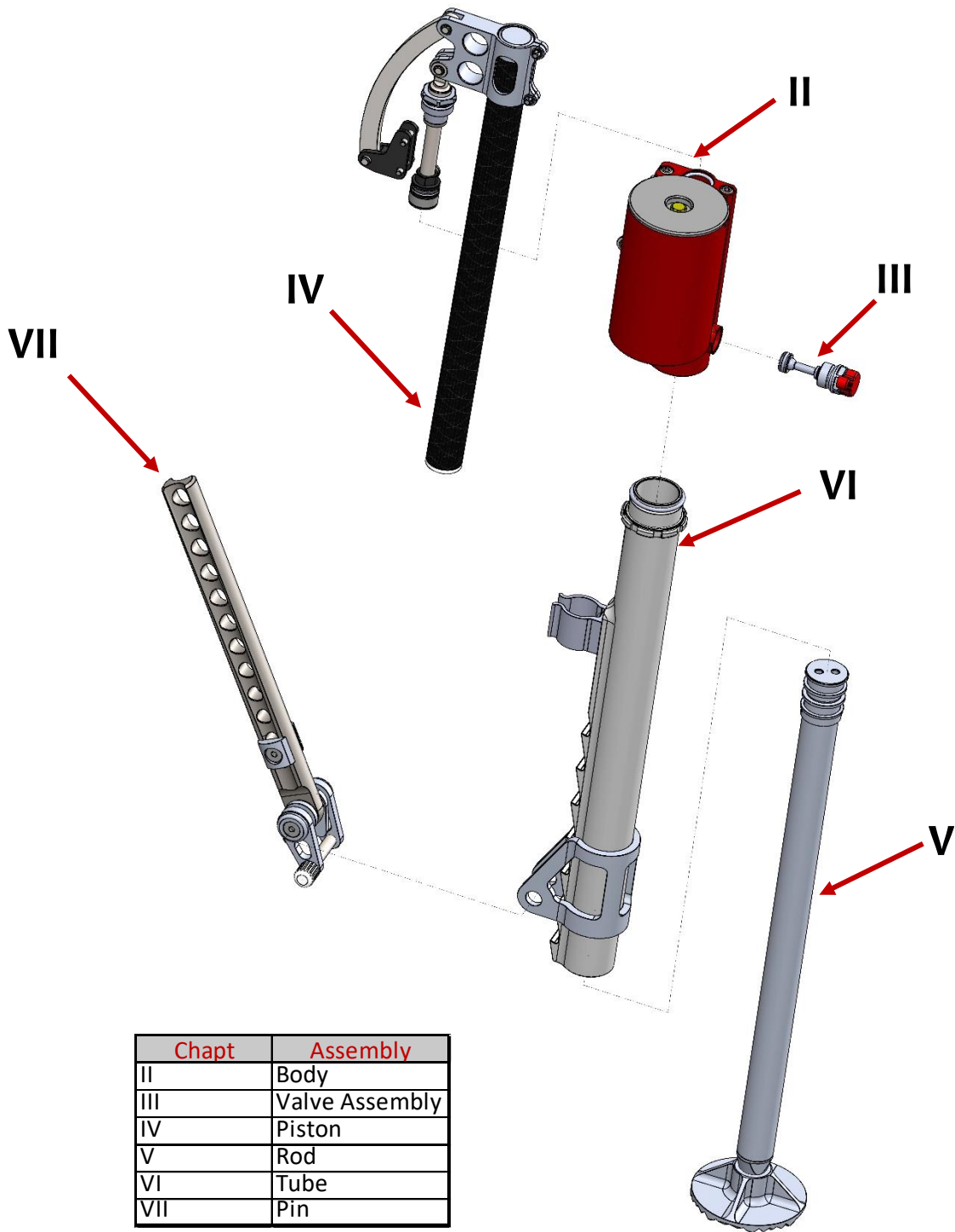


www.pkm-consulting.com/support/PRO-JACK/

The QR code is also on the product with his serial number.

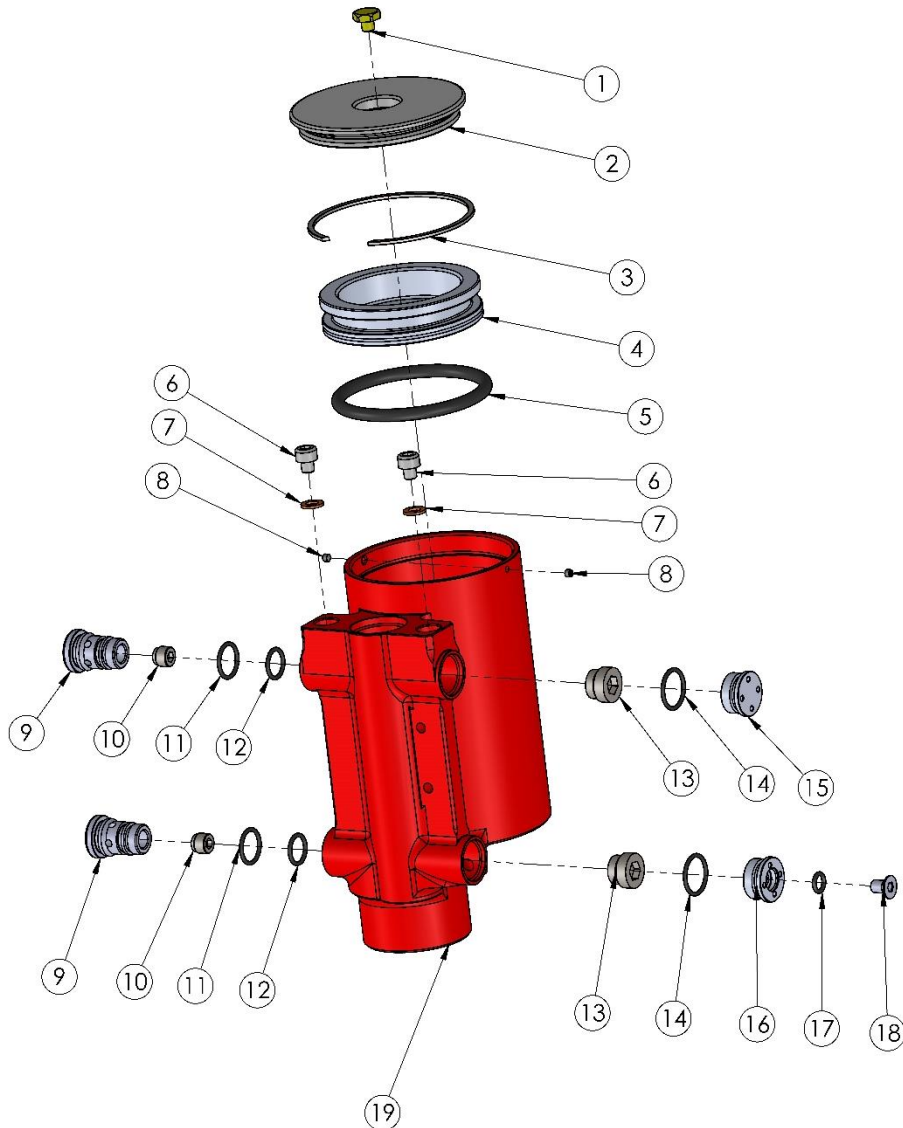


Chapt I : Recap



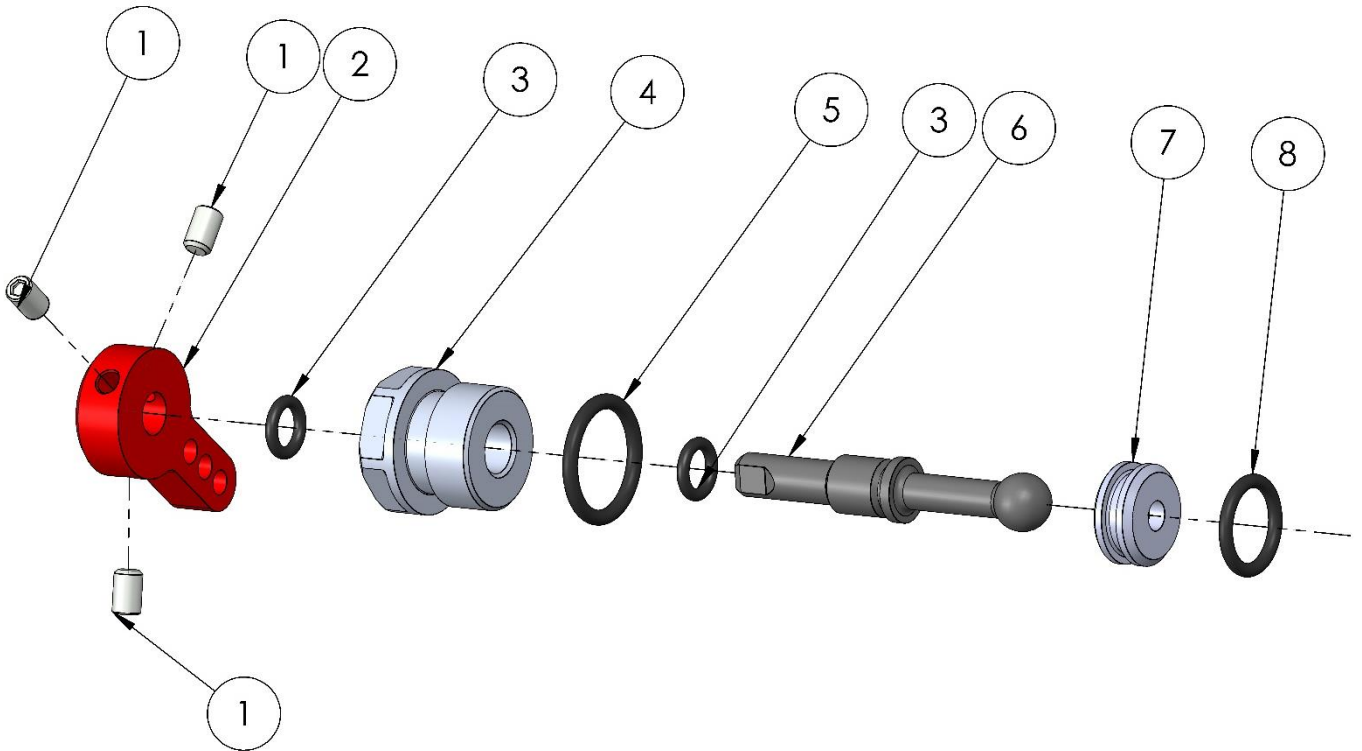
Chapt	Assembly
II	Body
III	Valve Assembly
IV	Piston
V	Rod
VI	Tube
VII	Pin

Chapt II : Body



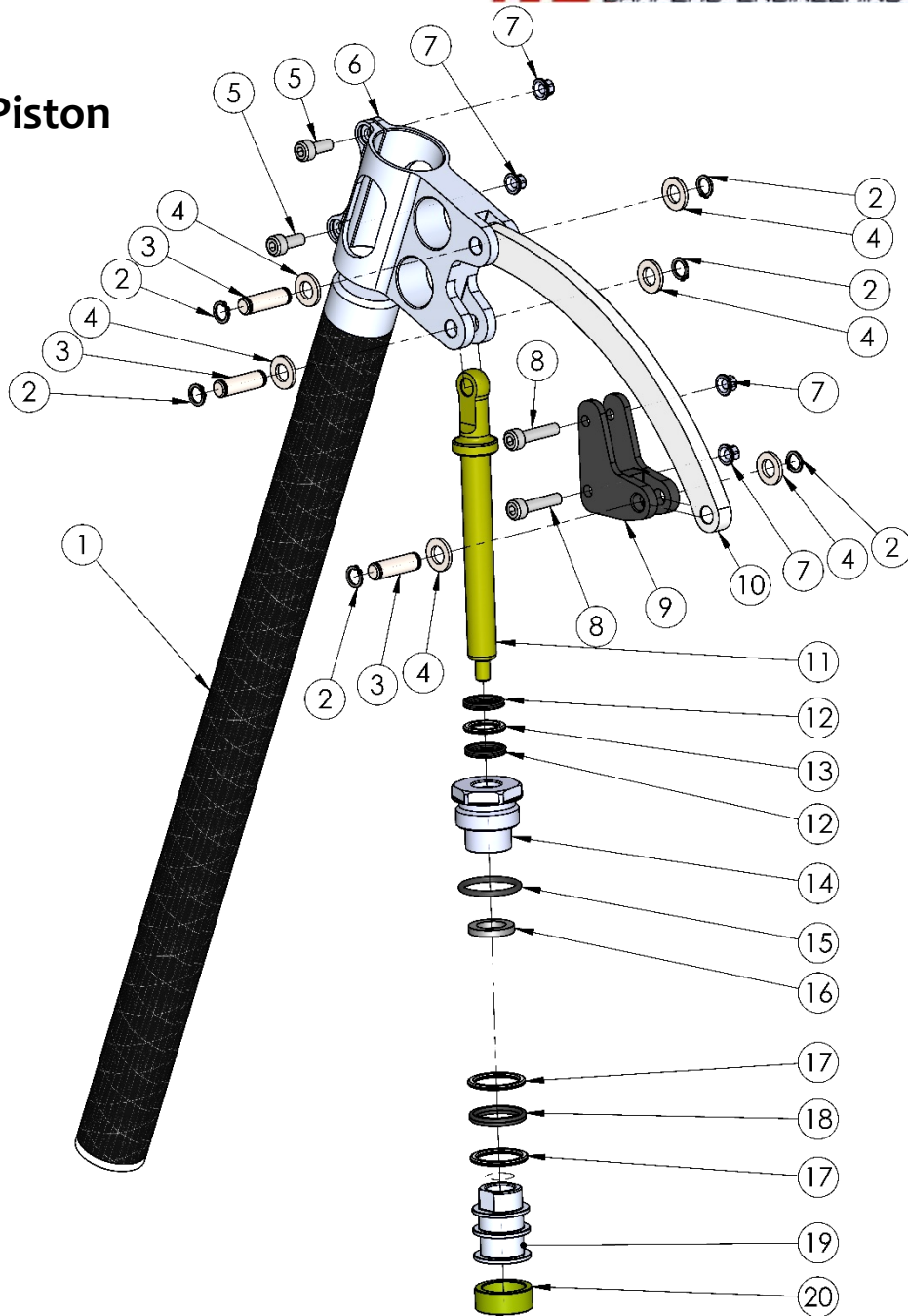
Pos	Qty	Part No	DESCRIPTION	Notes
1	1	PK-SIL-001-A	Exhaust Silencer	Loctite 243 Torque 6N.m
2	1	JA-BOU-015-B	Cap	
3	1	PK-JNC-113-A	Circlip	
4	1	JA-PI5-004-D	Separat or Piston	OT-EXT-002-B OT-CON-027-A
5	1	J05400500N	O-ring	
6	2	CHC050N005E109	Screw	Loctite 577 Torque 8N.m
7	2	JC0002	Copper Washer	
8	2	HC030N003E109	Screw	Loctite 243 Torque Hand
9	2	JA-BOU-024-C	Check valve cap	Loctite 243 Torque 6N.m OT-SER-192-B
10	2	PK-VAL-042-A	Check valve	Loctite 577 Torque 6N.m
11	2	J01200150N	O-ring	
12	4	J01000150N	O-ring	
13	3	PK-VAL-035-A	Check valve	Loctite 577 Torque 16 N.m
14	2	J01400150N	O-ring	
15	1	JA-BOU-001-D	Bore cap check valve	Loctite 243 Torque 6 N.m OT-SER-192-B
16	2	JA-BOU-008-A	Bore cap check valvle	Loctie 243 Torque 6 N.m OT-SER-192-B
17	1	J00550160F	O-ring	
18	1	TFX050N008C	Screw	
19	1	JA-CRP-009-A	Body	

Chapt III : Valve Assembly



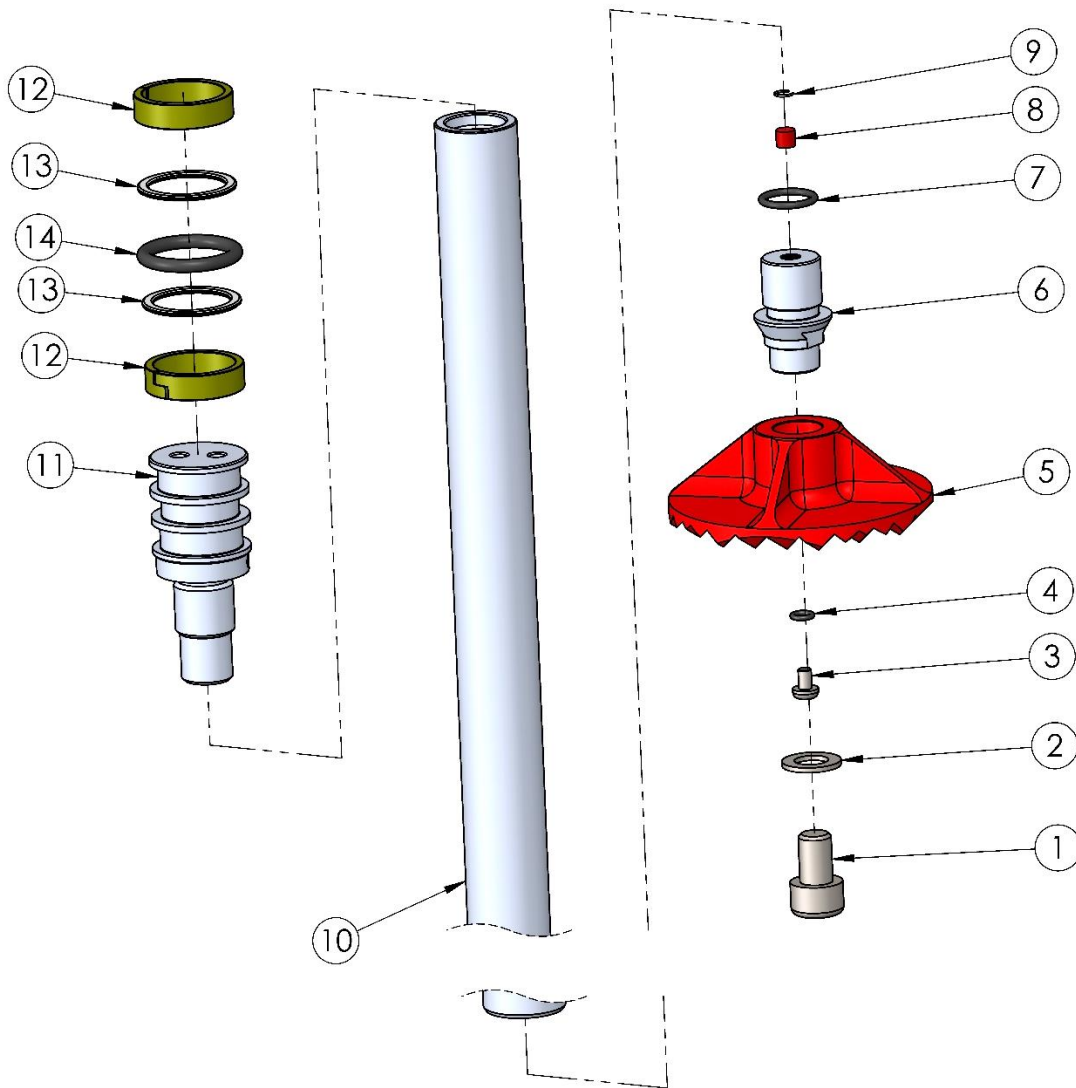
Pos	Qty	Part No	DESCRIPTION	Notes
1	3	HC040N006E109A	Screw	Loctite 243
2	1	JA-MOL-001-D	Discharge wheel	
3	2	J00550160F	O-ring	
4	1	JA-BOU-018-A	Screw in plug	Loctite 243 Torque 20N.m
5	1	J01400200N	O-ring	
6	1	JA-TIG-009-C	Rod	
7	1	JA-SIE-002-B	Insert Valve	
8	1	J01050180N	O-ring	

Chapt IV : Piston



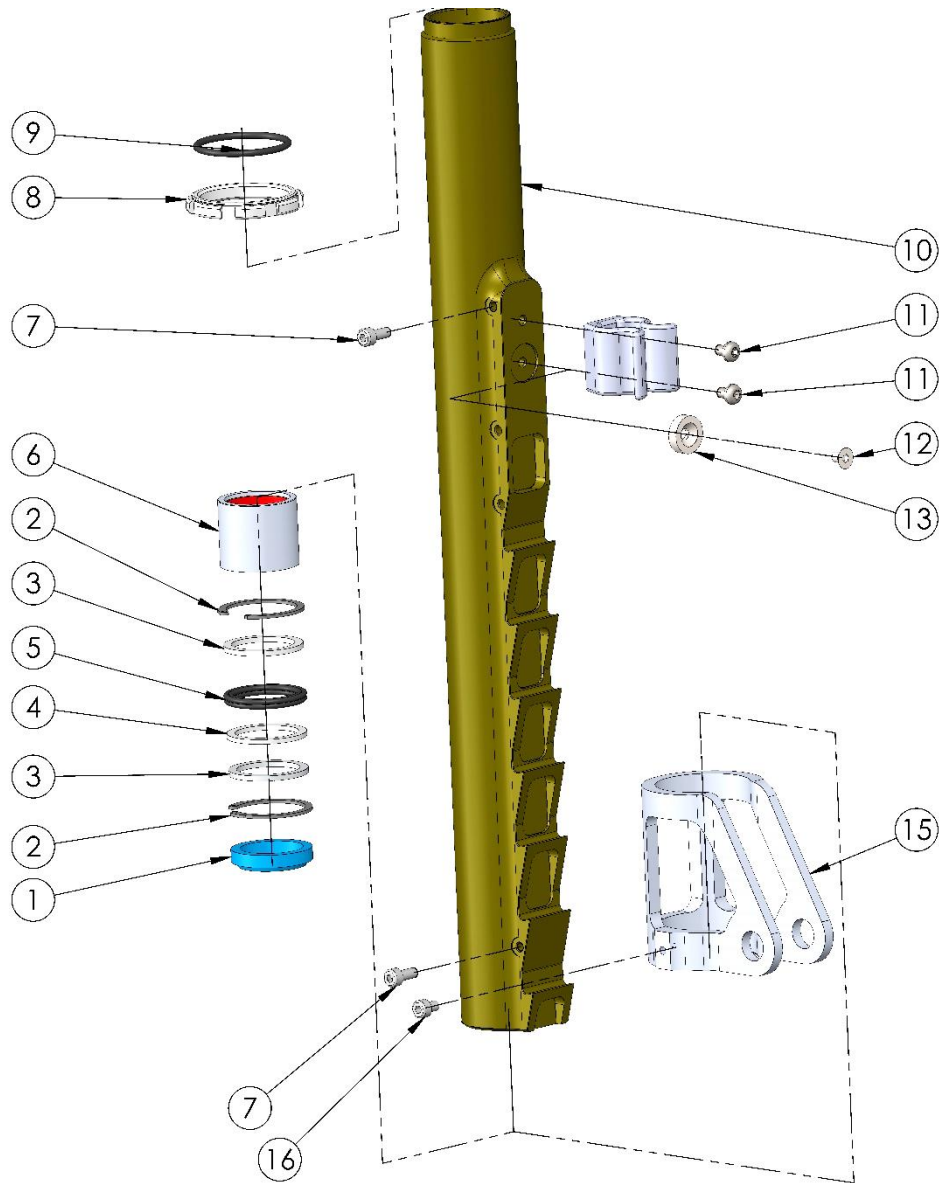
Pos	Qty	Part No	DESCRIPTION	Notes
1	1	AS-MAN-002-A	Sleeve assembly	
2	6	PK-JNC-103-A	Circlip	
3	3	JA-AXE-001-B	Axle	
4	6	RA060NAA	Washer	
5	2	CHC040N010E109	Screw	Loctite 243 Torque 4 N.m
6	1	JA-BAS-003-A	Tipper	
7	4	E040NDA	Nut	
8	2	CHC040N018E109	Screw	Loctite 270 Torque 6N.m
9	1	JA-SUP-006-C	Rod Support	
10	1	JA-BIE-010-A	Connecting Rod	
11	1	JA-TIG-005-B	Pump Rod	OT-MOR-029-A
12	2	JS0066	X-ring	
13	1	JS0084	Back-up ring	
14	1	AS-BOU-016-A	Cap Assembly	Torque 20N.m OT-CLE-003-B
15	1	J01800200F	O-ring	
16	1	JA-RON-003-A	Washer	
17	2	JS0068	Back-up ring	
18	1	JS0079	X-ring	
19	1	JA-PIS-005-B	Piston Pro-Jack	Loctite 270 Torque 6N.m OT-CON-027-A
20	1	PK-BAN-034-A	Piston Band	

Chapt V : Rod



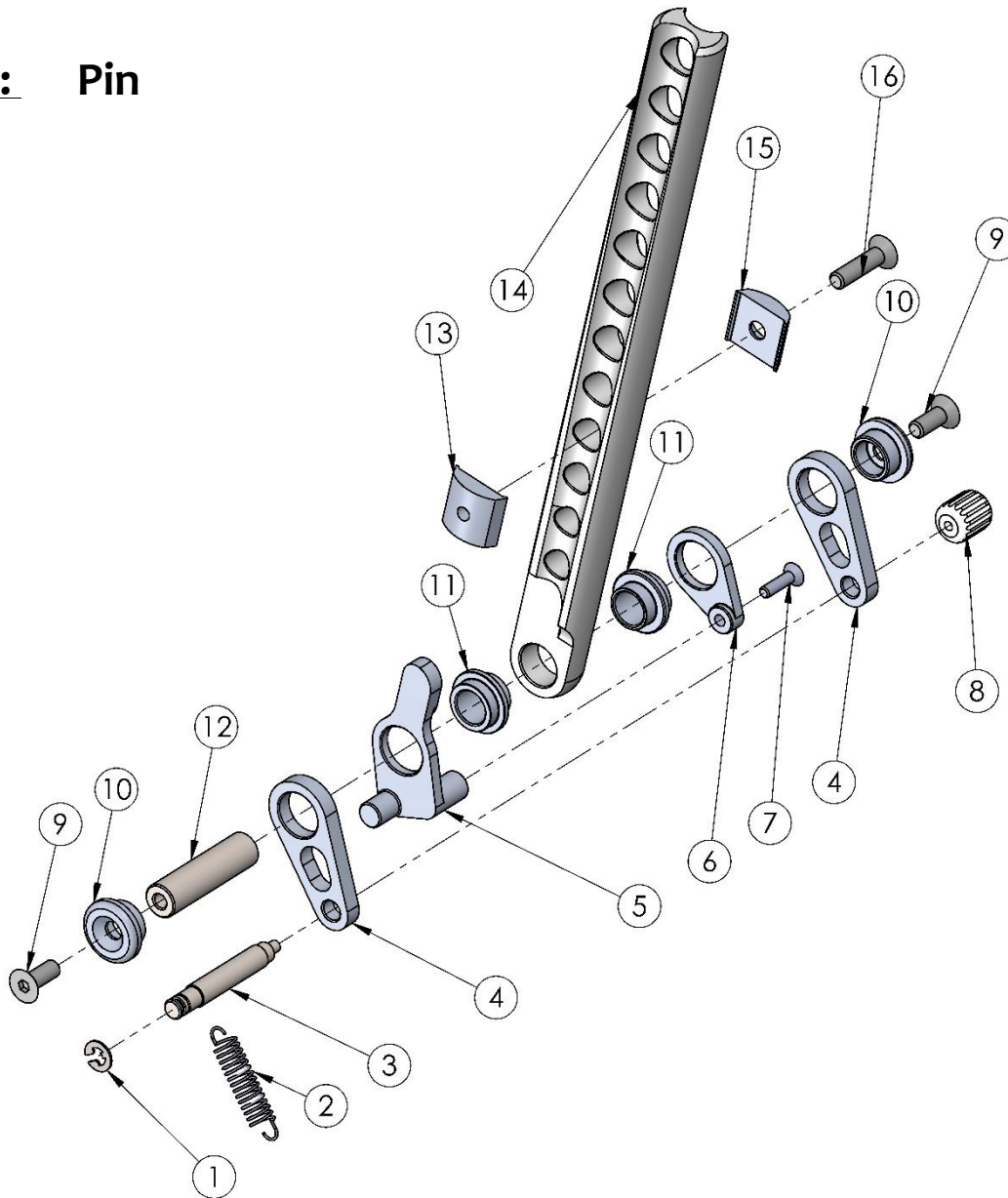
Pos	Qty	Part No	DESCRIPTION	Notes
1	1	JA-VIS-005-A	Screw	Loctite 243 Torque 20N.m
2	1	RA100AD	Washer	
3	1	BHC040N006E109	Screw	
4	1	J00450150N	O ring	
5	1	JA-PIE-005-B	Feet	
6	1	JA-ENT-013-C	Inflate Spacer	Loctite 243 Torque 25N.m
7	1	J01400200N	O-ring	
8	1	JS0024	Infflation Membrane	
9	1	PK-JNC-025-A	Circlip	
10	1	JA-TUB-013-B	Rod	OT-CON-015-A
11	1	JA-PIS-001-C	Piston	Loctite 270 Torque 35N.m OT-SER-019-A
12	2	PK-BAN-035-A	Piston Band	
13	2	JS0071	Back-Up ring	
14	1	J02400400N	O-ring	

Chapt VI : Tube



Pos	QTY	Part No	DESCRIPTION	Notes
1	1	JS0076	Wiper Seal	OT-MON-047-A
2	2	PK-JNC-061-A	Circlip	
3	2	JA-RON-001-A	Washer	
4	1	JS0074	Back-up ring	
5	1	JS0069	X-ring	
6	1	AJ-BAG-053-A	Ring assembly	
7	2	CHC040N010E109	Screw	Loctite 243 Torque 4 N.m
8	1	JA-ECR-001-B	Lock nut	Loctite 243 Torque 35N.m
9	1	J03350250N	O-ring	
10	1	JA-TUB-012-H	Tube	
11	2	BHC040N006E109	Screw	
12	1	FHC040N006E109	Screw	Loctite 270 Torque 4N.m
13	1	PK-AM-003-A	Magnet	
14	1	JA-CLI-002-A	Locker	
15	1	JA-SUP-002-C	Pin support	
16	1	CHC040N006E109	Screw	Loctite 243 Torque 6N.m

Chapt VII : Pin



Pos	Qty	Part No	DESCRIPTION	Notes
1	1	PK-JNC-094-A	Circlip	
2	1	PG-SPG-070-A	Spring	
3	1	JA-TIG-002-A	Rod	
4	2	JA-BIE-003-A	Locking connecting rod	
5	1	JA-BIE-006-C	Unlocking connecting rod	
6	1	JA-BIE-008-B	Connecting Rod	
7	1	FHC040N012E109	Screw	
8	1	PK-MOL-051-A	Scroll wheel	Loctite 243 Torque 6N.m
9	2	FHC060N016E109	Screw	Loctite 243 Torque 10 N.m
10	2	JA-ENT-009-B	Spacer	
11	2	JA-ENT-006-B	Spacer	
12	1	JA-AXE-002-A	Axle	
13	1	JA-ENT-010-B	Spacer	
14	1	JA-PIN-003-C	Pin	
15	1	JA-ENT-011-B	Spacer	
16	1	FHC060N025E109	Screw	Loctite 243 Torque 10N.m

Chapt VIII : Other

Product	Part No
TOOL	OT-SER-192-B
TOOL	OT-SER-045-A
TOOL	OT-EXT-002-A
TOOL	OT-CON-027-A
TOOL	OT-TIG-007-A
TOOL	OT-MOR-029-A
TOOL	OT-SER-019
TOOL	OT-CON-015-A
TOOL	OT-SER-193-A
OIL	PK-OIL-001-A
STICKER	AC-STI-010-A

Chapt IX : Versioning

REV	NAME	DATE	CHANGES
A	RICORD	01/07/2022	Creation
B	RICORD	04/07/2022	Colorised Parts update
C	RICORD	15/07/2022	V2.2



Cric Pro Jack : Part List



Chapt X: Notes

.....

.....

.....

.....

.....

.....

.....

.....

.....

.....

.....

.....

.....

.....

.....

.....

.....

.....

.....

.....

.....

.....

.....

.....